

# PARTS LIST

**WESTERBEKE**

**8.5 • 12.5 • 15.0 BTG  
Marine Gasoline Generators**

**Publication # 37315  
Edition One  
July 1989**



**Gasoline with an ETHANOL content higher than 10% (E10) is **not allowed** and may void warranty.**



**WESTERBEKE™**  
*Engines & Generators*

# PARTS LIST

**WESTERBEKE**

**8.5 • 12.5 • 15.0 BTG  
Marine Gasoline Generators**

**Publication # 37315  
Edition One  
July 1989**



IMPORTANT

PRODUCT SOFTWARE NOTICE

Product software of all kinds, such as brochures, drawings, technical data, operator's and workshop manuals, parts lists and parts price lists, and other information, instructions and specifications provided from sources other than Westerbeke, is not within Westerbeke's control and, accordingly, is provided to Westerbeke customers only as a courtesy and service. WESTERBEKE CANNOT BE RESPONSIBLE FOR THE CONTENT OF SUCH SOFTWARE, MAKES NO WARRANTIES OR REPRESENTATIONS WITH RESPECT THERETO, INCLUDING THE ACCURACY, TIMELINESS OR COMPLETENESS THEREOF, AND WILL IN NO EVENT BE LIABLE FOR ANY TYPE OF DAMAGES OR INJURY INCURRED IN CONNECTION WITH, OR ARISING OUT OF, THE FURNISHING OR USE OF SUCH SOFTWARE.

For example, components and sub-assemblies incorporated in Westerbeke's products and supplied by others (such as engine blocks, fuel systems and components, transmissions, electrical components, pumps and other products) are generally supported by their manufacturers with their own software, and Westerbeke must depend on such software for the design of Westerbeke's own product software. Such software may be outdated and no longer accurate. Routine changes made by Westerbeke's suppliers, of which Westerbeke rarely has notice in advance, are frequently not reflected in the supplier's software until after such changes take place.

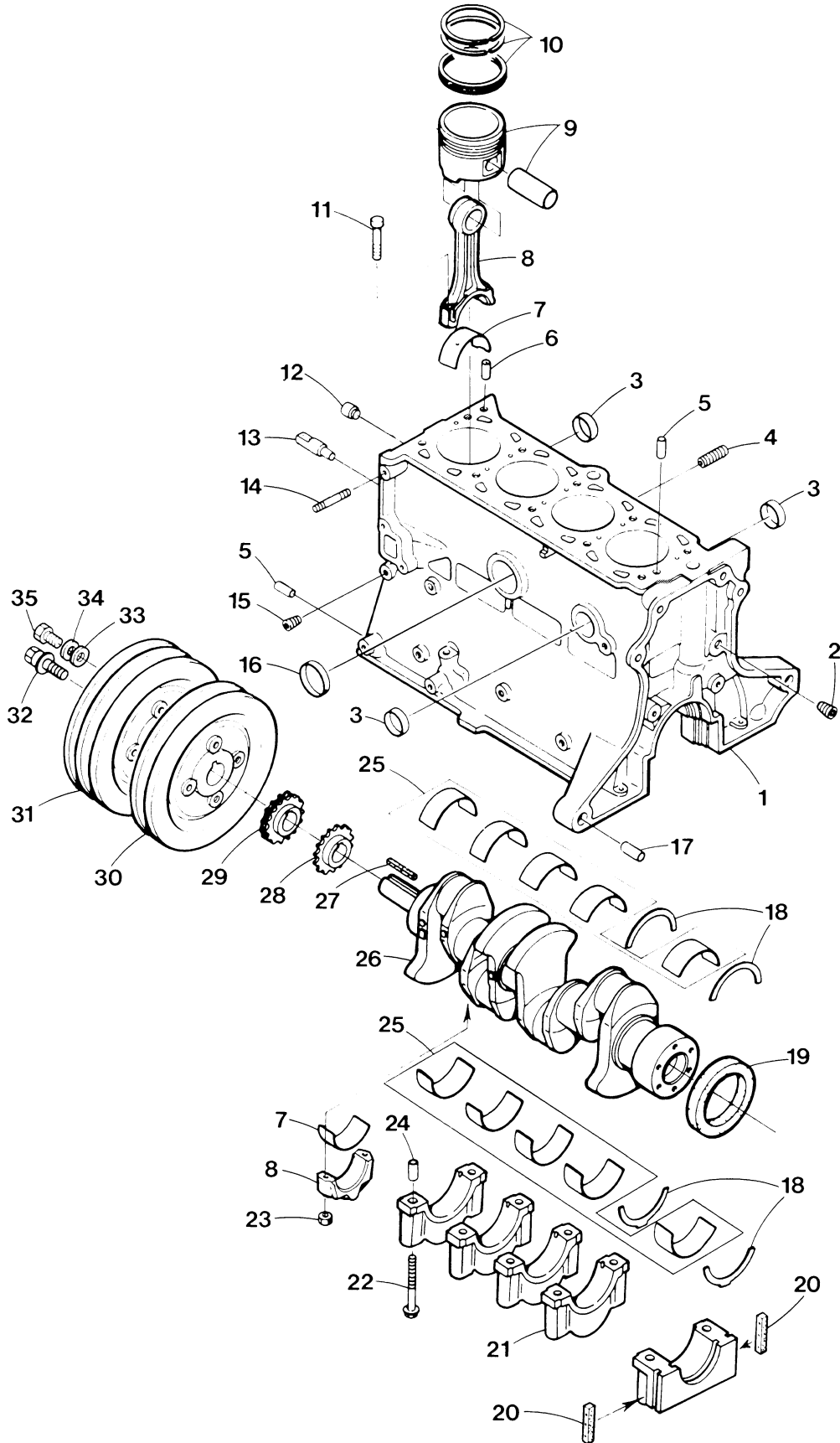
Westerbeke customers should also keep in mind the time span between printings of Westerbeke product software, and the unavoidable existence of earlier, non-current Westerbeke software editions in the field. Additionally, most Westerbeke products include customer-requested special features that frequently do not include complete documentation.

In sum, product software provided with Westerbeke products, whether from Westerbeke or other suppliers, must not and cannot be relied upon exclusively as the definitive authority on the respective product. It not only makes good sense, but is imperative that appropriate representatives of Westerbeke or the supplier in question be consulted to determine the accuracy and currency of the product software being consulted by the customer.

## TABLE OF CONTENTS

100	8.5-12.5-15.0 BTG GENERATOR - CYLINDER BLOCK - CRANKSHAFT
104	8.5-12.5-15.0 BTG GENERATOR - CYLINDER HEAD
106	8.5-15.0 BTG GENERATOR - CAMSHAFT - ROCKER SHAFT - VALVES
108	12.5 BTG GENERATOR - CAMSHAFT - ROCKER SHAFT - VALVES
110	8.5-12.5-15.0 BTG GENERATOR - SUMP - OIL PUMP - TIMING COVER
112	8.5-12.5-15.0 BTG GENERATOR - COOLING SYSTEM
116	8.5-12.5-15.0 BTG GENERATOR - SEA WATER PUMP
118	8.5-12.5-15.0 BTG GENERATOR - FUEL SYSTEM - INTAKE MANIFOLD
120	8.5-12.5-15.0 BTG GENERATOR - GASDENSER AND LIFT PUMP
122	8.5-12.5-15.0 BTG GENERATOR - BELTS - ALTERNATOR - GOVERNOR
124	8.5-12.5-15.0 BTG GENERATOR - DISTRIBUTOR - COIL - SPARKPLUG
126	8.5-12.5-15.0 BTG GENERATOR - ENGINE WIRING HARNESS
128	8.5-12.5-15.0 BTG GENERATOR - MOUNTING SYSTEM
130	8.5-12.5-15.0 BTG GENERATOR - BACK END - GENERATOR
134	8.5 BTG GENERATOR - AC OUTPUT AND REGULATOR
136	12.5-15.0 BTG GENERATOR - AC OUTPUT AND REGULATOR
138	8.5-12.5-15.0 BTG GENERATOR - CONTROL PANEL
140	8.5-12.5-15.0 BTG GENERATOR - REMOTE CONTROL PANELS
142	8.5-12.5-15.0 BTG GENERATOR - GASOLINE CARBURETOR
146	8.5-12.5-15.0 BTG GENERATOR - MISCELLANEOUS

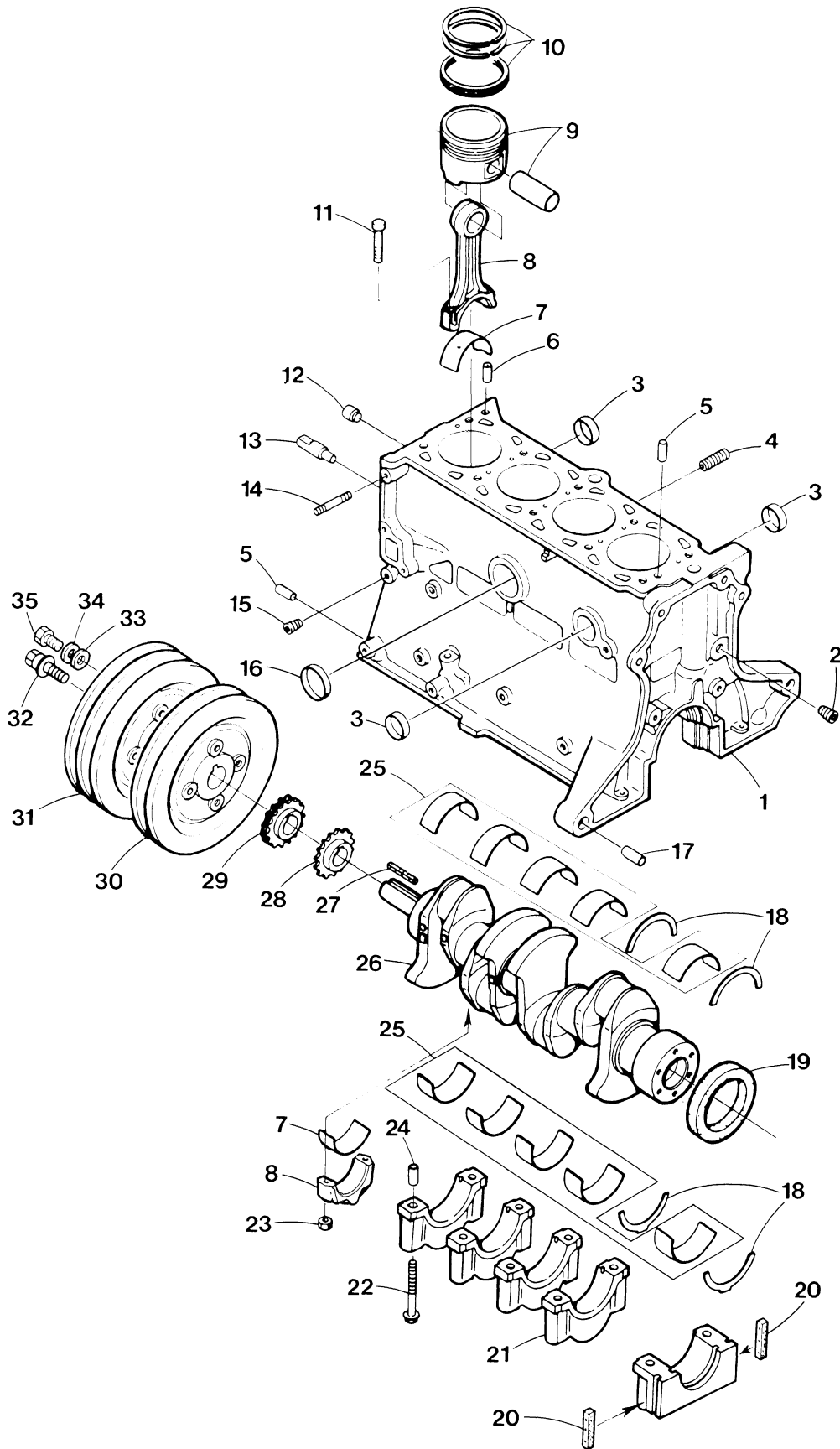
WESTERBEKE 8.5-12.5-15.0 BTG GENERATOR - CYLINDER BLOCK - CRANKSHAFT



WESTERBEKE 8.5-12.5-15.0 BTG GENERATOR - CYLINDER BLOCK - CRANKSHAFT

REF	PN	NAME	REMARKS	QUAN
1-1	034906	BLOCK	ASSEMBLY 8.5 BTG	1
1-2	037718	BLOCK	ASSEMBLY 12.5 BTG	1
1-3	034910	BLOCK	ASSEMBLY 15.0 BTG	1
2	034171	PLUG		1
3	024369	PLUG	EXPANSION CUP 35 MM	3
4	034132	NIPPLE	OIL FILTER	1
5	033676	DOWEL	TUBULAR 12 X 12	3
6	034131	PLUG	OIL CONTROL	1
7-1	037567	BEARING	SET-CONNECTING ROD STD	1
7-2	037568	BEARING	SET-CONNECTING ROD 0.25MM	1
7-3	037569	BEARING	SET-CONNECTING ROD 0.50MM	1
7-4	037570	BEARING	SET-CONNECTING ROD 0.75MM	1
8-1	034066	ROD	CONNECTING 8.5 BTG 12.5 BTG	4
8-2	034149	ROD	CONNECTING 15.0 BTG	4
9-01	034045	PISTON	WITH PIN STD 8.5 BTG	4
9-02	034046	PISTON	WITH PIN 0.25MM 8.5 BTG	4
9-03	034047	PISTON	WITH PIN 0.50MM 8.5 BTG	4
9-04	034048	PISTON	WITH PIN 0.75MM 8.5 BTG	4
9-05	034049	PISTON	WITH PIN 1.00MM 8.5 BTG	4
9-06	037571	PISTON	WITH PIN STD 12.5 BTG	4
9-07	037572	PISTON	WITH PIN 0.25MM 12.5 BTG	4
9-08	037573	PISTON	WITH PIN 0.50MM 12.5 BTG	4
9-09	034100	PISTON	WITH PIN STD 15.0 BTG	4
9-10	034101	PISTON	WITH PIN 0.25MM 15.0 BTG	4
9-11	034102	PISTON	WITH PIN 0.50MM 15.0 BTG	4
10-1	034040	RING SET	ENGINE SET STD 8.5 BTG	1
10-2	034041	RING SET	ENGINE SET 0.25MM 8.5 BTG	1
10-3	034042	RING SET	ENGINE SET 0.50MM 8.5 BTG	1
10-4	034043	RING SET	ENGINE SET 0.75MM 8.5 BTG	1
10-5	034044	RING SET	ENGINE SET 1.00MM 8.5 BTG	1
10-6	034094	RING SET	ENGINE SET STD 12.5-15.0 BTG	1
10-7	034095	RING SET	ENGINE SET 0.25MM 12.5-15.0 BTG	1
10-8	034096	RING SET	ENGINE SET 0.50MM 12.5-15.0 BTG	1
11		BOLT	CONNECTING ROD - SEE REF 8	
12	034119	PLUG		2
13	034058	JET	OIL	1
14	012858	STUD	M 8 X 22 DIN 939	1
15	033624	PLUG		1
16	033657	PLUG	EXPANSION CUP 40 MM	1
17	033311	DOWEL	BLOCK TO BACKPLATE	2
18-1	034150	WASHER	THRUST-SET STD	1
18-2	034155	WASHER	THRUST-SET 0.25MM	1
18-3	034156	WASHER	THRUST-SET 0.50MM	1
18-4	034157	WASHER	THRUST-SET 0.75MM	1
19	034141	SEAL	OIL	1

WESTERBEKE 8.5-12.5-15.0 BTG GENERATOR - CYLINDER BLOCK - CRANKSHAFT

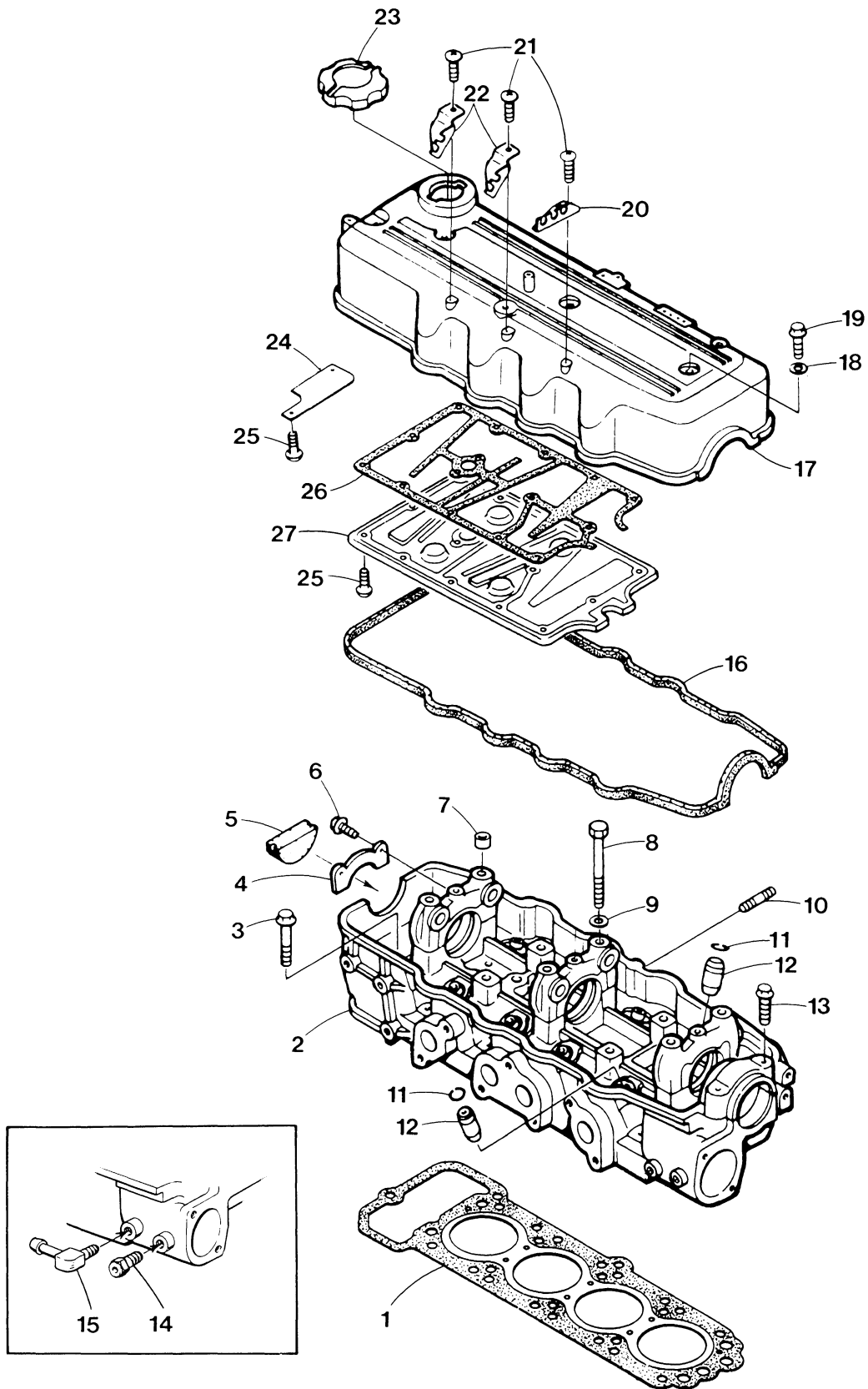




WESTERBEKE 8.5-12.5-15.0 BTG GENERATOR - CYLINDER BLOCK - CRANKSHAFT

REF	PN	NAME	REMARKS	QUAN
20	034124	SEAL	MAIN BEARING CAP	2
21		CAP	MAIN BEARING - SEE REF 1	
22	034060	BOLT	MAIN BEARING CAP	10
23		NUT	CONNECTING ROD - SEE REF 8	10
24	034168	DOWEL	TUBULAR 14 X 12	10
25-1	034088	BEARING	SET MAIN STD	1
25-2	034089	BEARING	SET MAIN 0.25MM	1
25-3	034090	BEARING	SET MAIN 0.50MM	1
25-4	034091	BEARING	SET MAIN 0.75MM	1
26-1	034067	CRANKSHAFT	8.5-12.5 BTG	1
26-2	034099	CRANKSHAFT	15.0 BTG	1
27	034068	KEY	CRANKSHAFT	1
28	034069	SPROCKET	OIL PUMP CHAIN DRIVE	1
29	034148	SPROCKET	TIMING CHAIN DRIVE	1
30	034092	PULLEY	CRANKSHAFT 1 GROOVE	1
31	033256	PULLEY	CRANKSHAFT 2 GROOVE	1
32	034070	BOLT	CRANKSHAFT PULLEY	1
33	031784	WASHER	M 6 DIN 125	4
34	031783	LOCKWASHER	M 6 DIN 127	4
35	013590	CAPSCREW	M 6 X 30 DIN 933	4

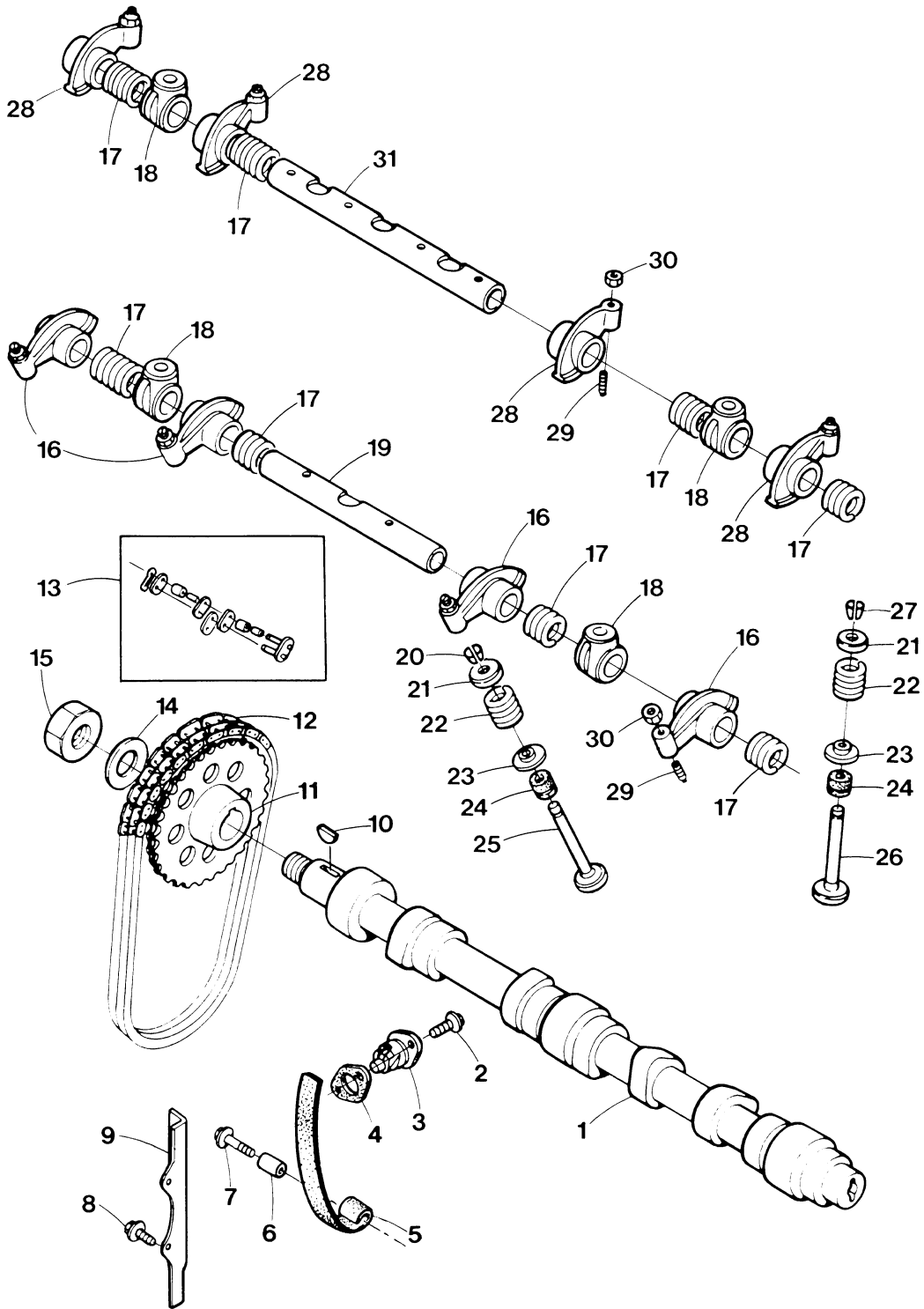
WESTERBEKE 8.5-12.5-15 BTG GENERATOR - CYLINDER HEAD



WESTERBEKE 8.5-12.5-15 BTG GENERATOR - CYLINDER HEAD

REF	PN	NAME	REMARKS	QUAN
1-1	033818	GASKET	CYLINDER HEAD 8.5 BTG	1
1-2	037566	GASKET	CYLINDER HEAD 12.5 BTG	1
1-3	034057	GASKET	CYLINDER HEAD 15.0 BTG	1
2-1	034037	HEAD	CYLINDER 8.5 BTG	1
2-2	037565	HEAD	CYLINDER 12.5 BTG	1
2-3	034105	HEAD	CYLINDER 15.0 BTG	1
3	033644	CAPSCREW	M 8 X 35 JIS-FLANGE	1
4	034126	PLATE	THRUST	1
5	034129	SEAL	OIL	1
6	034165	SCREW	M 6 X 16 RH	2
7	034168	DOWEL	TUBULAR 14 X 12	6
8	034125	BOLT	CYLINDER HEAD	10
9	034133	WASHER	CYLINDER HEAD BOLT	10
10	015828	STUD	M 8 X 22 DIN 939	3
11	034118	CLIP	VALVE GUIDE	8
12	034158	GUIDE	VALVE	8
13	033645	CAPSCREW	M 8 X 40 JIS-FLANGE	2
14	019369	PLUG	1/8NPT BRASS HEX HEAD	1
15	024907	ELBOW	1/8NPT TO 5/16 HOSE	1
16	033819	GASKET	ROCKER COVER	1
17	034053	COVER	ROCKER INCL REF 24 THRU 27	1
18	034130	SEAL	ROCKER COVER CAPSCREW	3
19	033646	CAPSCREW	M 8 X 45 JIS-FLANGE	3
20	034054	BRACKET	PLUG WIRE	1
21	034175	SCREW	M 5 X 12 TAPPING	3
22	034056	BRACKET	PLUG WIRE	2
23	034109	CAP	OIL FILLER	1
24	034055	PLATE	OIL SEPARATOR	1
25	034172	SCREW	M 4 X 8 RH	17
26	034128	GASKET	OIL BAFFLE PLATE	1
27	034127	PLATE	OIL BAFFLE	1

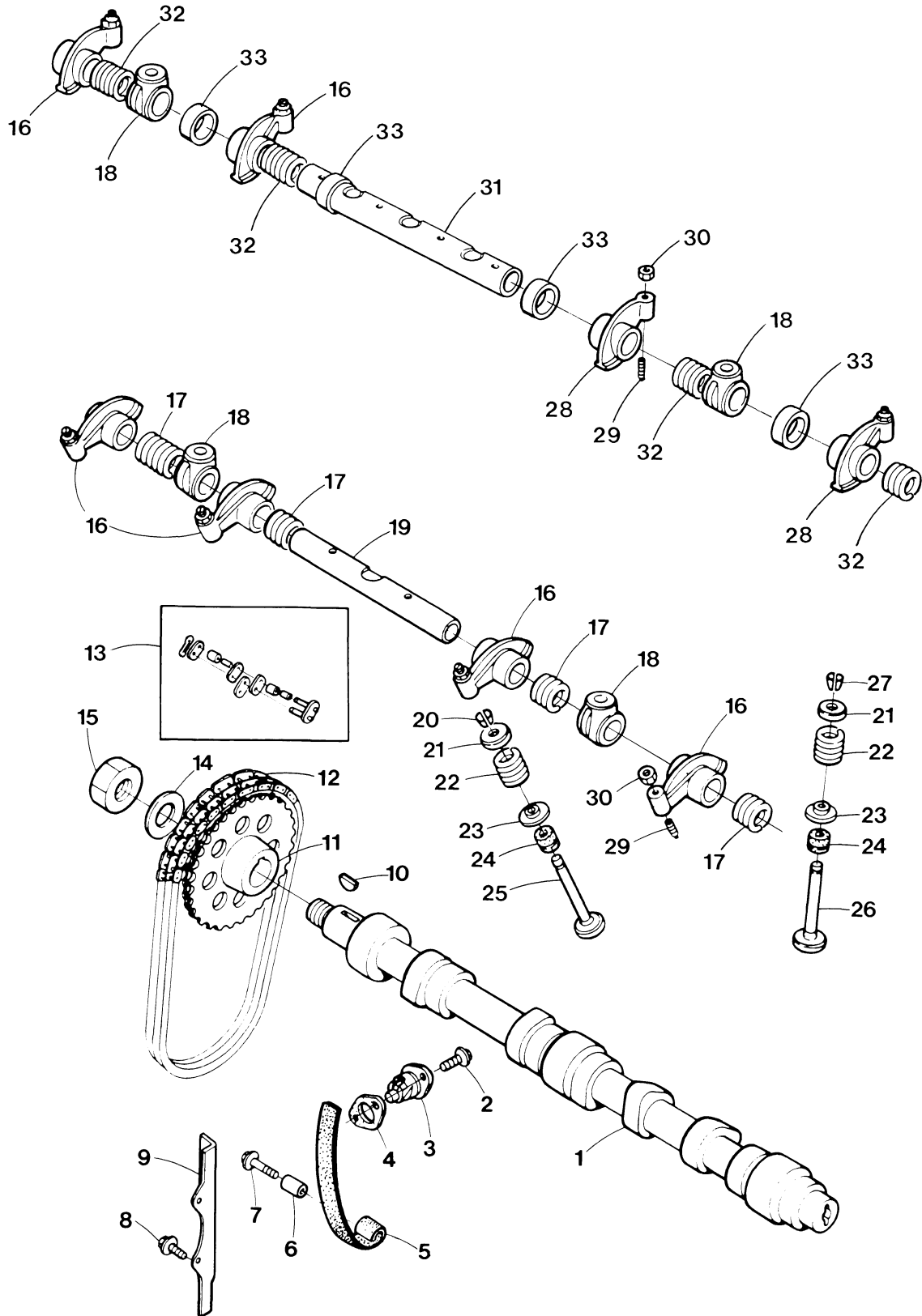
WESTERBEKE 8.5 BTG - 15.0 BTG GENERATOR - CAMSHAFT - ROCKER SHAFT



WESTERBEKE 8.5 BTG - 15.0 BTG GENERATOR - CAMSHAFT - ROCKER SHAFT

REF	PN	NAME	REMARKS	QUAN
1-1	034039	CAMSHAFT	8.5 BTG	1
1-2	034071	CAMSHAFT	15.0 BTG	1
2	033669	CAPSCREW	M 6 X 16 JIS-FLANGE	2
3	034072	TENSIONER	TIMING CHAIN ADJUST	1
4	034073	GASKET	TIMING CHAIN TENSIONER	1
5	034074	TENSIONER	BLADE-TIMING CHAIN	1
6	034139	SPACER	TENSIONER BLADE PIVOT	1
7	034566	BOLT	TENSIONER BLADE	1
8	034565	CAPSCREW	M 6 X 10 JIS-FLANGE	2
9	034075	DAMPER	TIMING CHAIN	1
10	034170	KEY	SPROCKET TO CAMSHAFT	1
11	034097	SPROCKET	CAMSHAFT-TIMING CHAIN	1
12	034144	CHAIN	TIMING	1
13	034145	LINK	TIMING CHAIN	1
14	034564	WASHER	M22 DIN 125	1
15	034147	NUT	LOCK	1
16	034162	ROCKER	ASSEMBLY-EXHAUST	4
17	034136	SPRING	ROCKER SHAFT	8
18	034138	BRACKET	ROCKER SHAFT	4
19	034137	SHAFT	ROCKER-EXHAUST	1
20	034121	COTTER	EXHAUST VALVE	8
21	034120	SEAT	VALVE SPRING-UPPER	8
22	034159	SPRING	VALVE	8
23	034163	SEAT	VALVE SPRING-LOWER	8
24	034115	SEAL	VALVE	8
25	034143	VALVE	EXHAUST	4
26	034134	VALVE	INTAKE	4
27	034142	COTTER	INTAKE VALVE	8
28	034160	ROCKER	ASSEMBLY-INTAKE	4
29	034161	SCREW	ROCKER ADJUSTING	8
30	032909	NUT	ROCKER ADJUSTING	8
31	034135	SHAFT	ROCKER-INTAKE	1

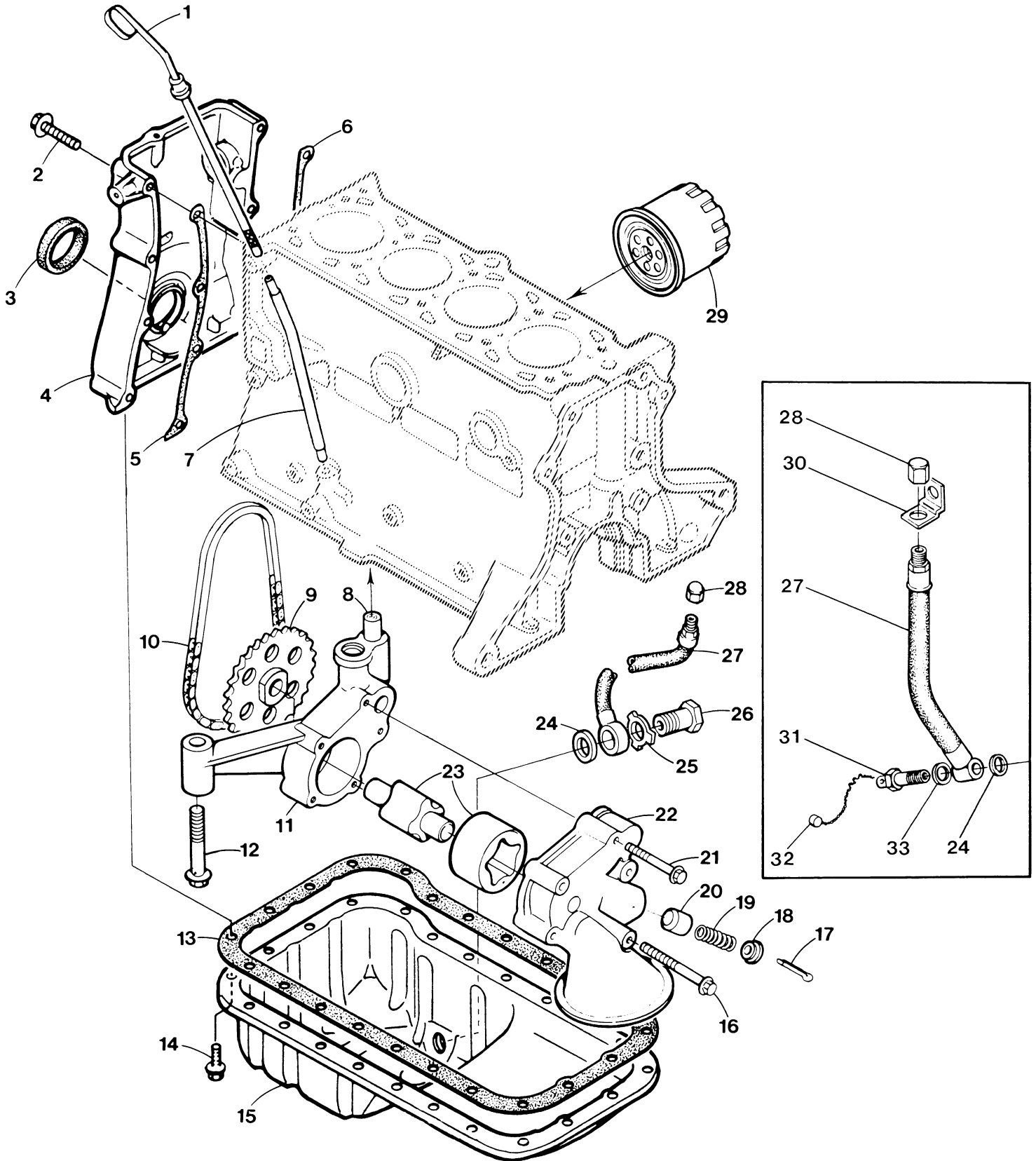
WESTERBEKE 12.5 BTG GENERATOR - CAMSHAFT - ROCKER SHAFT



WESTERBEKE 12.5 BTG GENERATOR - CAMSHAFT - ROCKER SHAFT

REF	PN	NAME	REMARKS	QUAN
1	037583	CAMSHAFT		1
2	033669	CAPSCREW	M 6 X 16 JIS-FLANGE	2
3	034072	TENSIONER	TIMING CHAIN ADJUST	1
4	034073	GASKET	TIMING CHAIN TENSIONER	1
5	034074	TENSIONER	BLADE-TIMING CHAIN	1
6	034139	SPACER	TENSIONER BLADE PIVOT	1
7	034566	BOLT	TENSIONER BLADE	1
8	034565	CAPSCREW	M 6 X 10 JIS-FLANGE	2
9	034075	DAMPER	TIMING CHAIN	1
10	034170	KEY	SPROCKET TO CAMSHAFT	1
11	034097	SPROCKET	CAMSHAFT-TIMING CHAIN	1
12	034144	CHAIN	TIMING	1
13	034145	LINK	TIMING CHAIN	1
14	034564	WASHER	M22 DIN 125	1
15	034147	NUT	LOCK	1
16	037576	ROCKER	ASSEMBLY INCLUDING SCREW & NUT	4
17	034136	SPRING	ROCKER SHAFT	4
18	034138	BRACKET	ROCKER SHAFT	4
19	037582	SHAFT	ROCKER-EXHAUST	1
20	034121	COTTER	EXHAUST VALVE	8
21	034120	SEAT	VALVE SPRING-UPPER	8
22	034159	SPRING	VALVE	8
23	034163	SEAT	VALVE SPRING-LOWER	8
24	034115	SEAL	VALVE	8
25	037575	VALVE	EXHAUST	4
26	037574	VALVE	INTAKE	4
27	034142	COTTER	INTAKE VALVE	8
28	037578	ROCKER	ASSEMBLY INCLUDING SCREW & NUT	4
29		SCREW	ROCKER ADJUSTING SEE REF 16 & 28	8
30	037577	NUT	ROCKER ADJUSTING	8
31	037579	SHAFT	ROCKER-INTAKE	1
32	037580	SPRING	ROCKER SHAFT	4
33	037581	SPACER	ROCKER	4

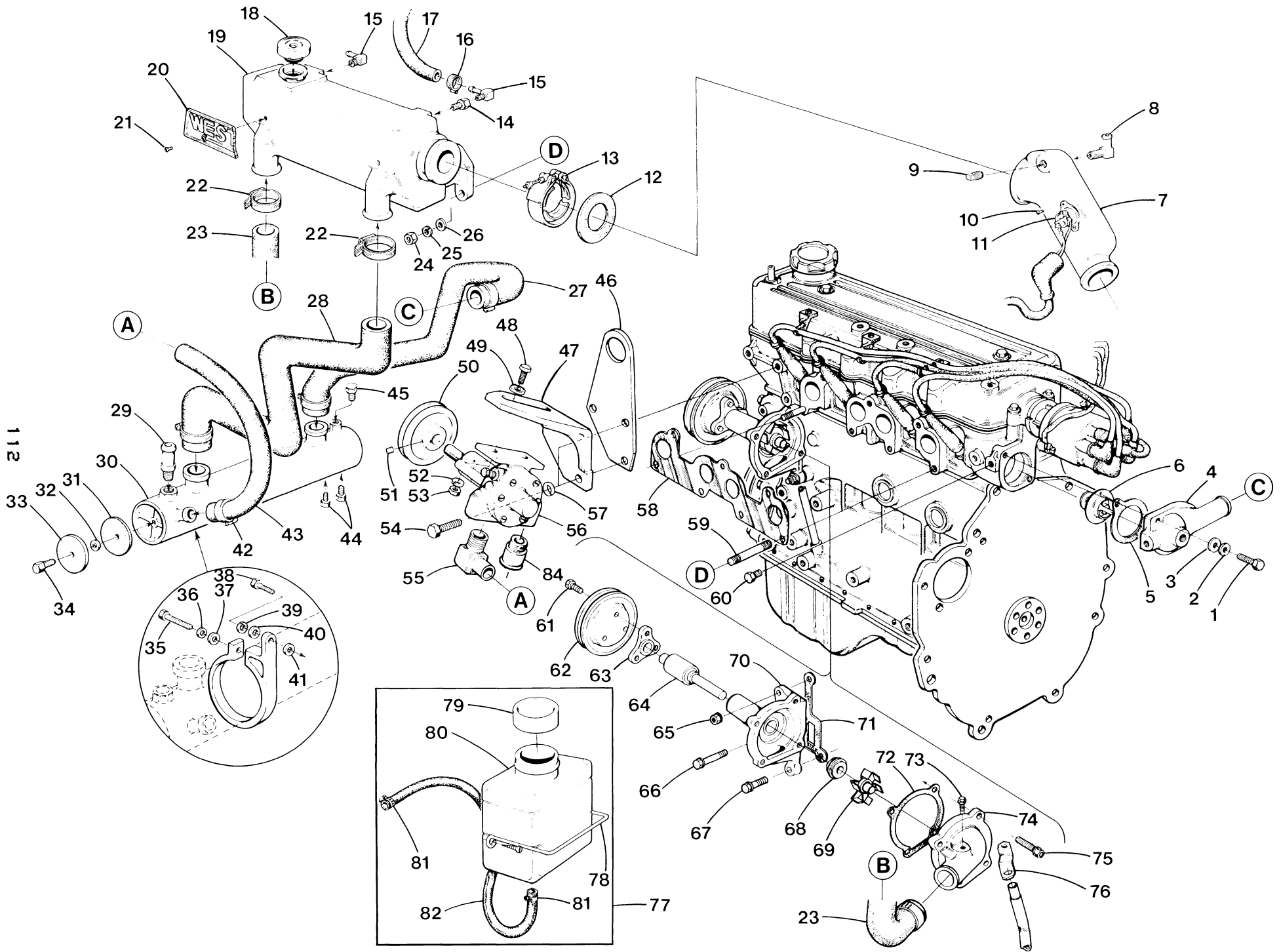
WESTERBEKE 8.5-12.5-15.0 BTG - SUMP - OIL PUMP - TIMING COVER





WESTERBEKE 8.5-12.5-15.0 BTG - SUMP - OIL PUMP - TIMING COVER

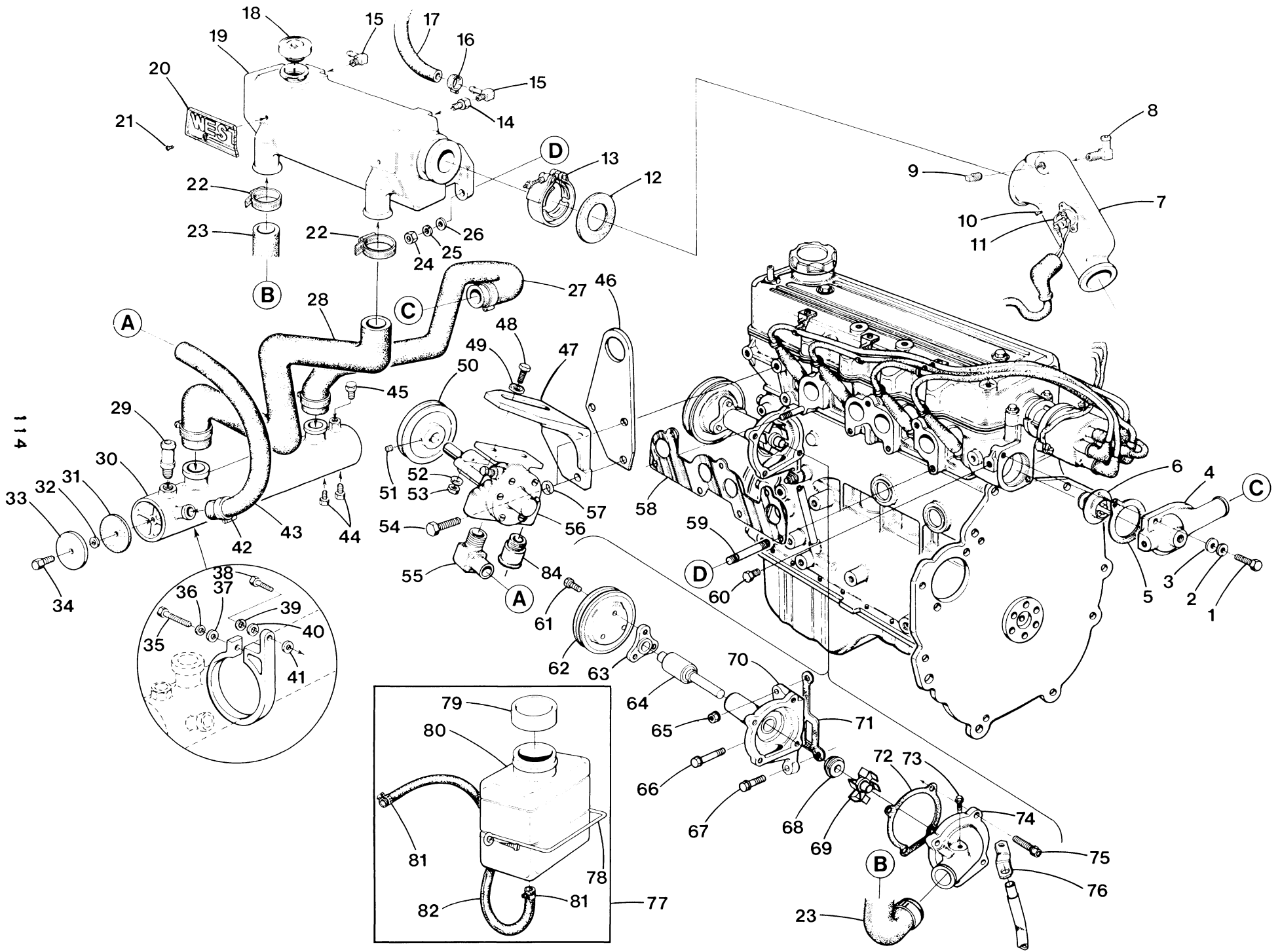
REF	PN	NAME	REMARKS	QUAN
1	034110	DIPSTICK		1
2	033647	CAPSCREW	M 8 X 50 JIS-FLANGE	8
3	034117	SEAL	OIL	1
4	034063	CASE	TIMING	1
5	034065	GASKET	TIMING CASE TO BLOCK-LEFT	1
6	034064	GASKET	TIMING CASE TO BLOCK-RIGHT	1
7	034059	TUBE	DIPSTICK	1
8	034167	DOWEL	TUBULAR 12 X 8	2
9	034082	SPROCKET	OIL PUMP DRIVE	1
10	034081	CHAIN	OIL PUMP DRIVE	1
11	034111	PUMP	LUBE OIL COMPLETE	1
12	033647	CAPSCREW	M 8 X 50 JIS-FLANGE	2
13	034087	GASKET	SUMP TO BLOCK	1
14	017012	CAPSCREW	M 6 X 16 DIN 933	22
15	034061	SUMP	LUBE OIL	1
16	034173	CAPSCREW	M 6 X 65 JIS-FLANGE	1
17	034166	PIN	COTTER	1
18	034123	PLUG	OIL RELIEF VALVE	1
19	034140	SPRING	OIL RELIEF VALVE	1
20	034122	PLUNGER	OIL RELIEF VALVE	1
21	033671	CAPSCREW	M 6 X 35 JIS-FLANGE	4
22	034112	COVER	OIL PUMP	1
23	034080	SHAFT	ASSEMBLY	1
24	030291	WASHER	BANJO	1
25	024913	TABWASHER	SUMP DRAIN	1
26	024901	BOLT	BANJO-LOCTITE PST MUST BE USED TO SEAL	1
27	033520	HOSE	SUMP DRAIN	1
28	024905	CAP	SUMP DRAIN HOSE	1
29	030220	FILTER	LUBE OIL	1
30	037198	BRACKET	SUMP DRAIN HOSE	1
31	036821	BOLT	BANJO-SUMP DRAIN HOSE	1
32	037393	SEAL	LEAD WIRE	1
33	036493	WASHER	BANJO	1



112

## WESTERBEKE 8.5-12.5-15.0 BTG GENERATOR - COOLING SYSTEM

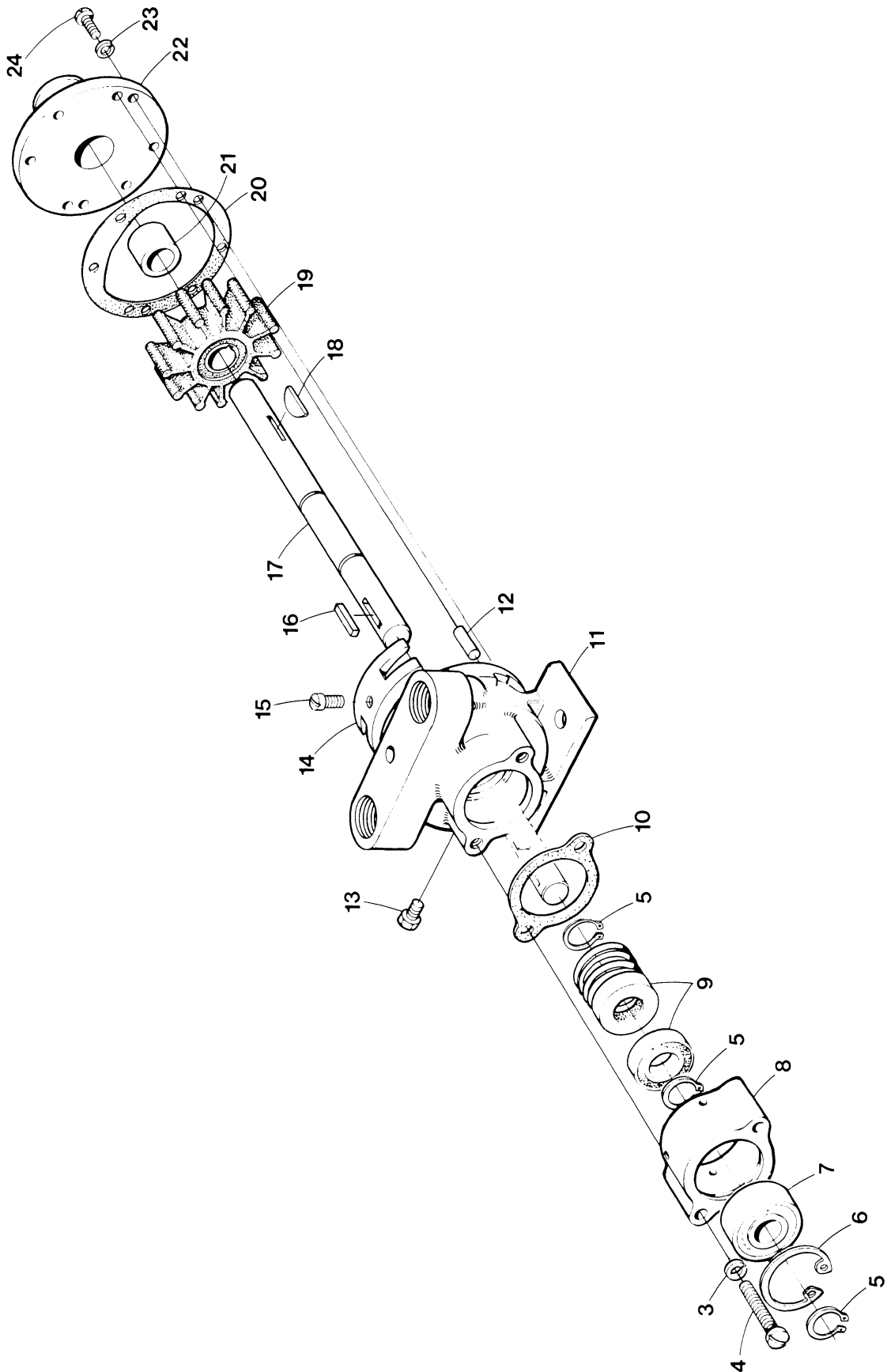
REF	PN	NAME	REMARKS	QUAN
1	013630	CAPSCREW	M 8 X 25 DIN 933	2
2	031786	LOCKWASHER	M 8 DIN 127	2
3	031787	WASHER	M 8 DIN 125	2
4	033318	HOUSING	THERMOSTAT	1
5	033417	GASKET	THERMOSTAT HOUSING	1
6	035736	THERMOSTAT		1
7	037534	ELBOW	WATER INJECTED EXHAUST 45 DEGREE	1
8	036616	ELBOW	1/2NPT X 1 HOSE	1
9	035747	PLUG	1/2NPT	1
10	035711	SCREW	6-20 X 1/4 TAPPING	2
11	032923	SWITCH	EXHAUST TEMPERATURE SAFETY	1
12	036425	GASKET	EXHAUST ELBOW TO MANIFOLD	1
13	036541	CLAMP	EXHAUST ELBOW TO MANIFOLD	1
14	013339	ADAPTER	MALE 1/8NPT	1
15	024907	ELBOW	1/8NPT TO 5/16 HOSE	2
16	024906	CLAMP	HOSE 6 MINIATURE	2
17	035435	HOSE	BY-PASS - INCHES REQUIRED	7
18	024306	CAP	PRESSURE	1
19	037314	MANIFOLD	EXHAUST	1
20	035411	NAMEPLATE		1
21	031935	SCREW	8-32 X 1/4 OVAL HEAD SS	2
22	021878	CLAMP	HOSE 20	6
23	024334	HOSE	ELBOW	1
24	018242	NUT	M 8 DIN 934	7
25	031786	LOCKWASHER	M 8 DIN 127	7
26	031787	WASHER	M 8 DIN 125	7
27	036134	HOSE	THERMOSTAT TO EXCHANGER	1
28	036135	HOSE	EXCHANGER TO MANIFOLD	1
29	036622	NIPPLE	3/4NPT X 1 HOSE	1
30	036902	EXCHANGER	HEAT	1
31	022851	GASKET	EXCHANGER END CAP	2
32	019321	O-RING	EXCHANGER END CAP	2
33	022850	CAP	EXCHANGER END	2
34	022852	CAPSCREW	3/8NC X 1/2 BRASS	2
35	031506	CAPSCREW	1/4NC X 1-1/4	2
36	031752	LOCKWASHER	1/4	2
37	031753	WASHER	FLAT 1/4	2
38	031812	CAPSCREW	M 8 X 65 DIN 931	2
39	031786	LOCKWASHER	M 8 DIN 127	2
40	031787	WASHER	M 8 DIN 125	2
41	033381	SPACER		2
42	011386	CLAMP	HOSE 12	2
43	030166	HOSE	SEA WATER PUMP TO EXCHANGER	1
44	019369	PLUG	1/8NPT BRASS HEX HEAD	2
45	011885	ZINC		1
46	033368	EYE	LIFTING - FRONT	1
47	033254	BRACKET	SEA WATER PUMP	1
48	031556	CAPSCREW	5/16NC X 1-1/4	2
49	033381	WASHER	PUMP MOUNTING	2
50	024281	PULLEY	SEA WATER PUMP	1



WESTERBEKE 8.5-12.5-15.0 BTG GENERATOR - COOLING SYSTEM

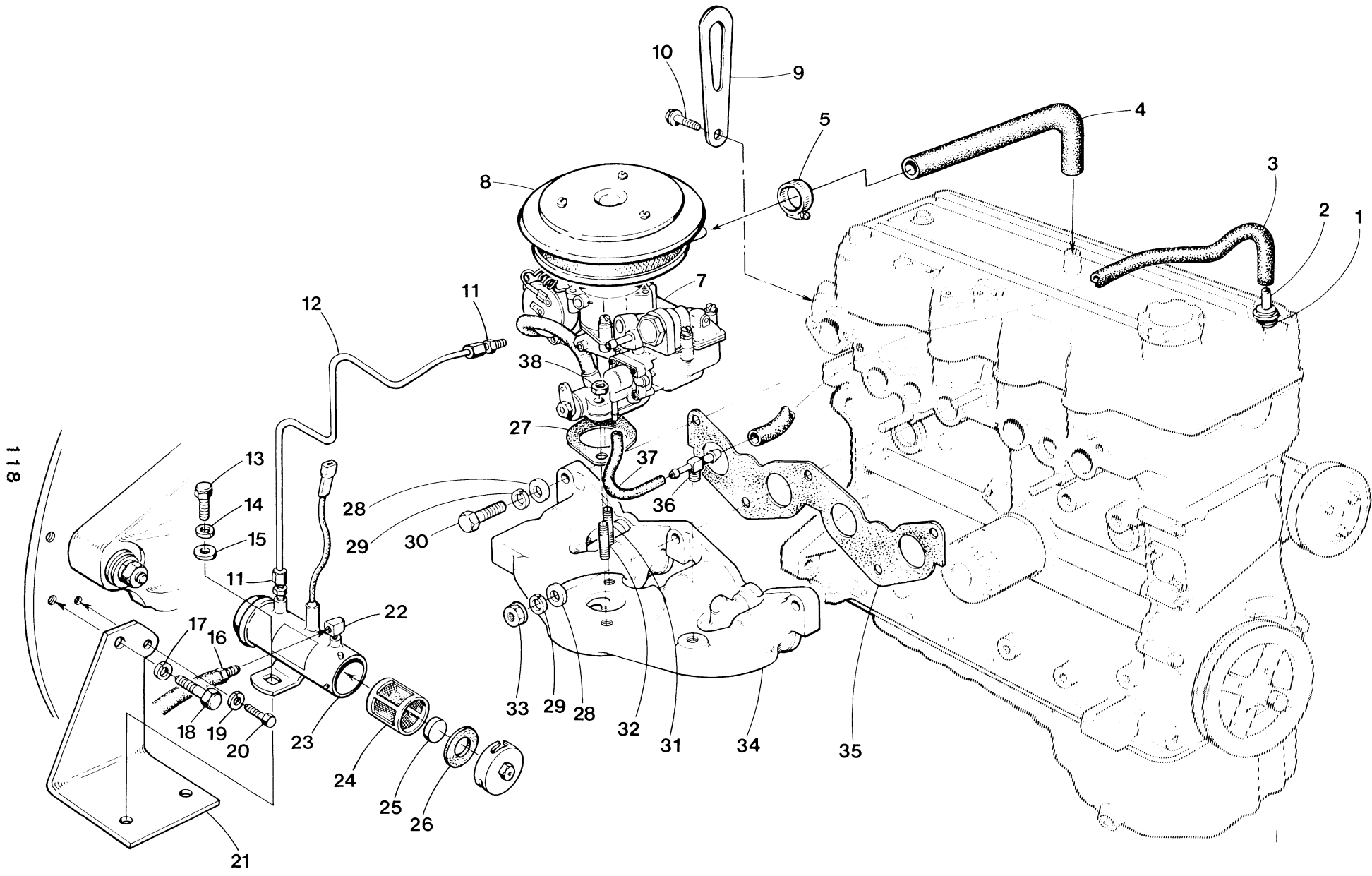
REF	PN	NAME	REMARKS	QUAN
51	011357	SETSCREW	PULLEY	1
52	031758	LOCKWASHER	5/16	2
53	031756	NUT	5/16NC	2
54	031228	CAPSCREW	M10 X 1.25 X 30 DIN 960	3
55	030183	ELBOW	1/2NPT X 7/8 HOSE	1
56	024102	PUMP	SEA WATER	1
57	019262	LOCKWASHER	M10 DIN 127	3
58	034079	GASKET	MANIFOLD TO HEAD	1
59	015830	STUD	M 8 X 25 DIN 939	7
60	019369	PLUG	1/8NPT BRASS HEX HEAD	1
61	034476	CAPSCREW	M 6 X 12 JIS-FLANGE	3
62	034085	PULLEY	FRESH WATER PUMP	1
63	034084	FLANGE	PUMP PULLEY	1
64		SHAFT	FRESH WATER PUMP-SEE REF 70	1
65	033668	NUT	M 8 JIS-FLANGE	1
66	034477	CAPSCREW	M 8 X 60 JIS-FLANGE	1
67	033654	CAPSCREW	M 8 X 20 JIS-FLANGE	1
68		SEAL	FRESH WATER PUMP-SEE REF 70	1
69		IMPELLER	FRESH WATER PUMP-SEE REF 70	1
70	034563	PUMP	FRESH WATER INCL FLANGE	1
71	034086	GASKET	FRESH WATER PUMP TO BLOCK	1
72	033481	GASKET	FRESH WATER PUMP ELBOW	1
73	034476	CAPSCREW	M 6 X 12 JIS-FLANGE	1
74	033478	ELBOW	FRESH WATER PUMP	1
75	033642	CAPSCREW	M 8 X 25 JIS-FLANGE	4
76	034062	BRACKET	DIPSTICK TUBE SUPPORT	1
77	024977	KIT	COOLANT RECOVERY TANK	1
78	024786	STRAP	COOLANT RECOVERY TANK MOUNT	1
79	024858	CAP	COOLANT RECOVERY TANK	1
80	024704	TANK	COOLANT RECOVERY	1
81	024906	CLAMP	HOSE	2
82	024637	TUBING	INCHES REQUIRED	30
83	035134	CLAMP	SUPPORT HOSE	2
84	036618	NIPPLE	1/2NPT TO 1 HOSE	1

WESTERBEKE 8.5-12.5-15.0 BTG GENERATOR - SEA WATER PUMP



WESTERBEKE 8.5-12.5-15.0 BTG GENERATOR - SEA WATER PUMP

REF	PN	NAME	REMARKS	QUAN
1	024102	PUMP	SEA WATER	1
2	024652	KIT	PUMP REPAIR	1
3	024645	LOCKWASHER	BRASS	2
4	024659	SCREW	BEARING HOUSING TO PUMP HOUSING	2
5	024656	RING	RETAINING-SMALL	3
6	024655	RING	RETAINING-LARGE	1
7	024654	BEARING		1
8	024653	HOUSING	BEARING	1
9	024649	SEAL	WITH SEAT	1
10	024651	GASKET	BEARING HOUSING TO PUMP HOUSING	1
11	024650	HOUSING	PUMP BODY ASSEMBLY	1
12	018142	DOWEL	COVER TO PUMP HOUSING	2
13	019369	PLUG	DRAIN 1/8NPT BRASS HEX HEAD	1
14	024648	CAM		1
15	024647	SCREW	PUMP HOUSING TO CAM	1
16	036353	KEY	DRIVE PULLEY TO SHAFT	1
17	024657	SHAFT		1
18	012915	KEY	IMPELLER TO SHAFT	1
19	033112	KIT	IMPELLER AND GASKET	1
20	024646	GASKET	IMPELLER COVER	1
21	024642	BUSHING	GRAPHITE	1
22	024643	COVER	IMPELLER	1
23	024645	LOCKWASHER		6
24	024644	SCREW	BRASS-IMPELLER COVER	6

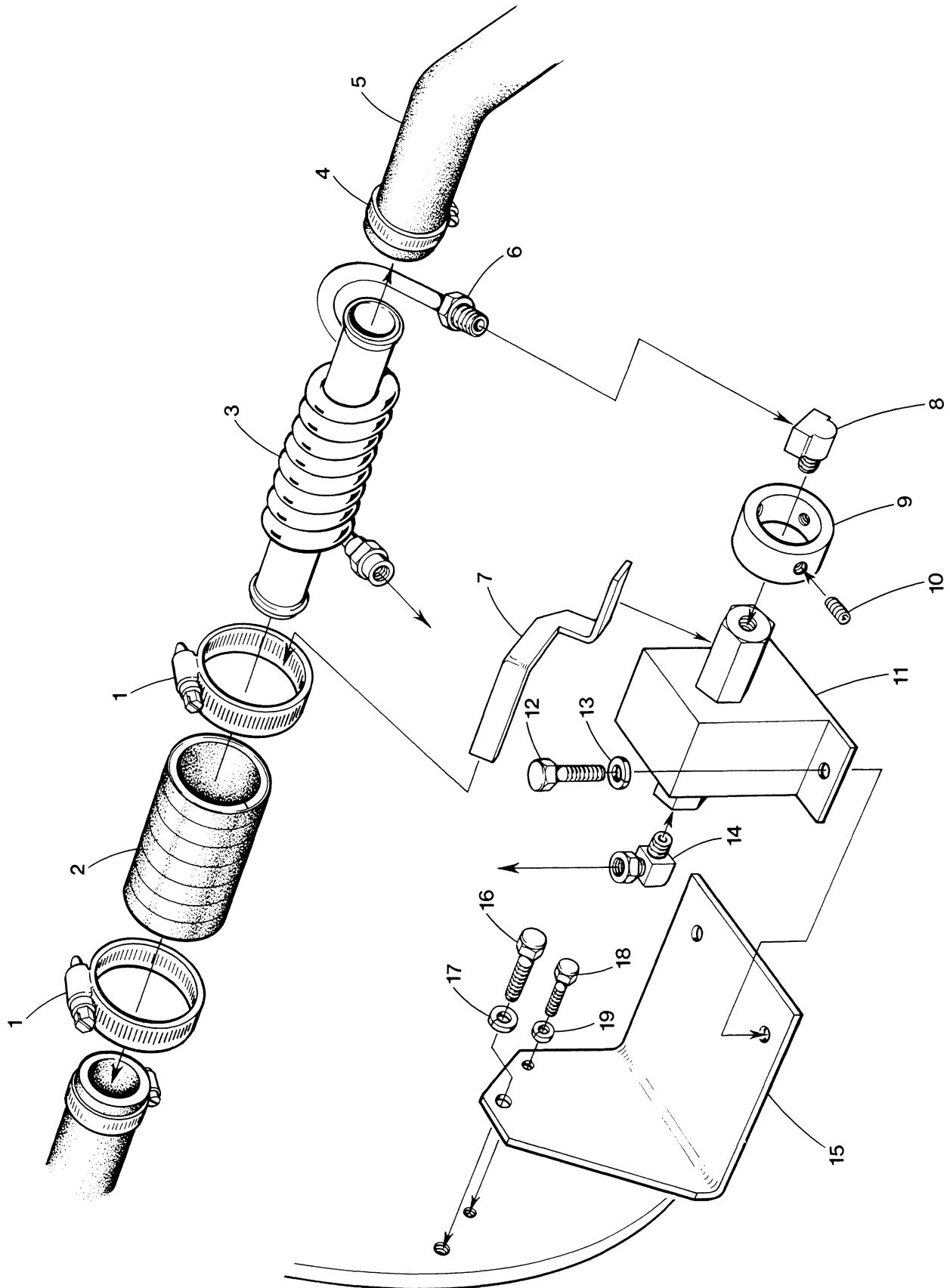




WESTERBEKE 8.5-12.5-15.0 BTG GENERATOR - FUEL SYSTEM - INTAKE MANIFOLD

REF	PN	NAME	REMARKS	QUAN
1	034078	SEAL	PCV VALVE	1
2	033808	VALVE	PCV	1
3	034077	HOSE	PCV VALVE	1
4	034076	HOSE	BREATHER	1
5	017298	CLAMP	HOSE 6	1
7	033751	CARBURETOR	INCLUDING CHOKE	1
8	034894	ARRESTOR	FLAME	1
9	030131	EYE	LIFTING	1
10	033654	CAPSCREW	M 8 X 20 JIS-FLANGE	1
11-1	019449	CONNECTOR	MALE INCLUDING NUT & FERRULE	2
11-2	016676	NUT	COMPRESSION	2
11-3	011597	FERRULE	COMPRESSION	2
12	036238	LINE	LIFT PUMP 33630 TO CARBURETOR	1
12-1		LINE	PUMP 37818 TO CARBURETOR SEE PAGE 121	1
13	031501	CAPSCREW	1/4NC X 1/2	2
14	031752	LOCKWASHER	1/4	2
15	031753	WASHER	FLAT 1/4	2
16		HOSE	FUEL SUPPLY	1
17	019262	LOCKWASHER	M10 DIN 127	1
18	013629	CAPSCREW	M10 X 25 DIN 933	1
19	031783	LOCKWASHER	M 6 DIN 127	1
20	017012	CAPSCREW	M 6 X 16 DIN 933	1
21	036136	BRACKET	LIFT PUMP	1
22	013340	ELBOW	1/8NPT STREET	1
23	033630	PUMP	ELECTRIC FUEL LIFT 12VDC TO JAN 1989	1
23-1	037818	PUMP	ELECTRIC FUEL FROM JAN 1989 SEE PAGE 121	1
24	035920	SCREEN	LIFT PUMP 33630 FILTER INCL GASKET	1
25	033792	MAGNET	LIFT PUMP 33630 COVER	1
26		GASKET	LIFT PUMP COVER INCLUDED WITH SCREEN	1
27	033606	GASKET	CARBURETOR TO MANIFOLD	1
28	031787	WASHER	M 8 DIN 125	5
29	031786	LOCKWASHER	M 8 DIN 127	5
30	013630	CAPSCREW	M 8 X 25 DIN 933	2
31	011928	STUD		1
32	011263	STUD		1
33	018242	NUT	M 8 DIN 934	3
34	033370	MANIFOLD	INTAKE	1
35	033419	GASKET	MANIFOLD TO HEAD	1
36	033753	TEE		1
37	033975	HOSE	INCHES REQUIRED	5
38	031760	NUT	5/16NF	2

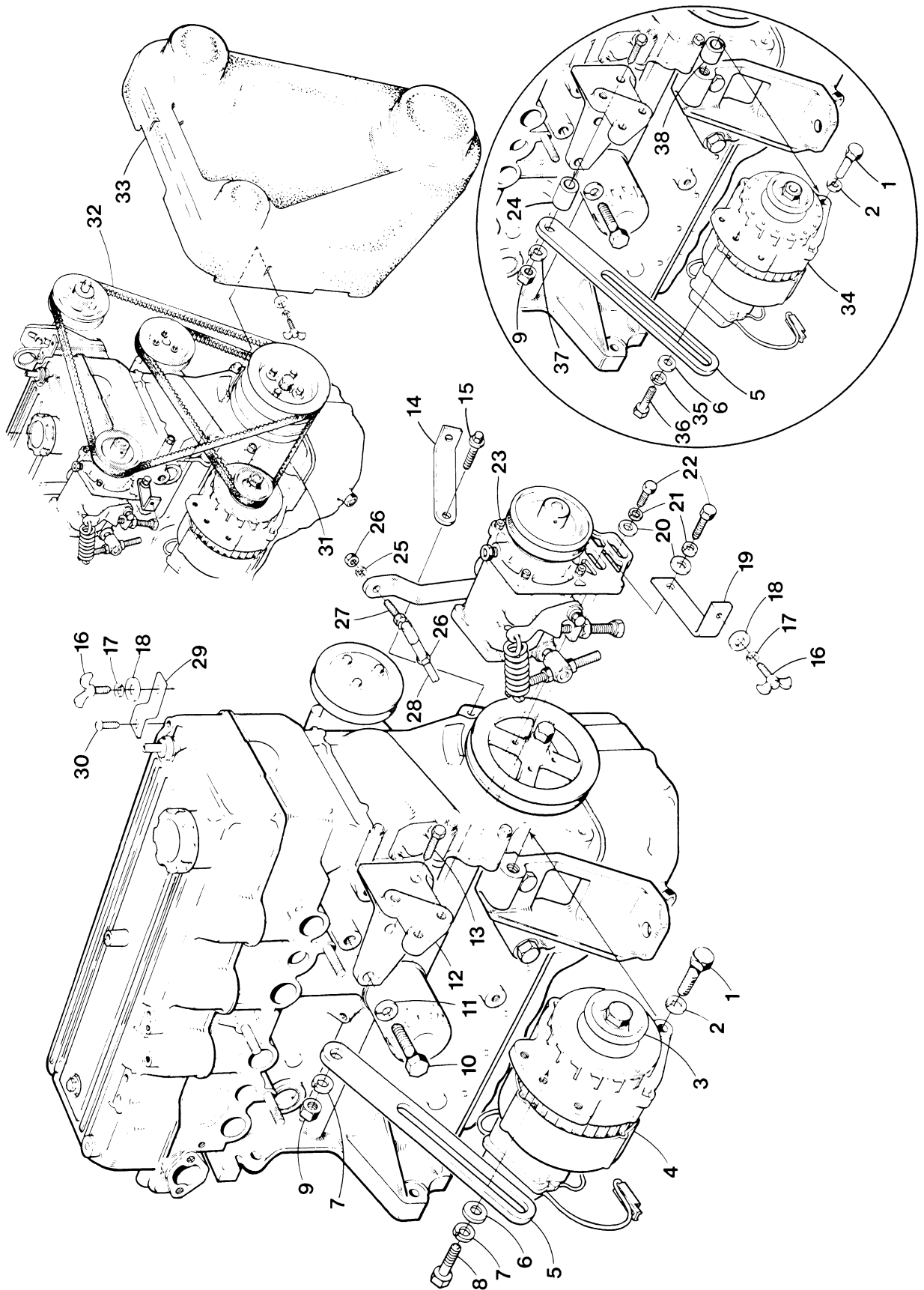
WESTERBEKE 8.5-12.5-15.0 BTG GENERATOR - GASENSER AND LIFT PUMP



WESTERBEKE 8.5-12.5-15.0 BTG GENERATOR - GASDENSER AND LIFT PUMP

REF	PN	NAME	REMARKS	QUAN
1	038193	CLAMP	HOSE 28	2
2		SLEEVE	HOSE & ALUMINUM FOIL TAPE-SEE REF 3	1
3	038052	GASDENSER	INCLUDING REF 1-2-3-6	1
4	011405	CLAMP	HOSE 16	2
5	038058	HOSE	GASDENSER TO SEA WATER PUMP	1
6		NUT	INVERTED FLARE-SEE REF 3	1
7	038161	BRACKET	GASDENSER TO LIFT PUMP	1
8	022513	ELBOW	1/8NPT TO INVERTED FLARE	1
9	038158	COLLAR	GASDENSER BRACKET TO LIFT PUMP	1
10	038173	SETSCREW		3
11	037818	PUMP	ELECTRIC FUEL LIFT 12VDC	1
12	031501	CAPSCREW	1/4NC X 1/2	2
13	031752	LOCKWASHER	1/4	2
14-1	013329	ELBOW	1/8NPT TO 1/4 TUBE COMPRESSION	1
14-2	016676	NUT	COMPRESSION	1
14-3	011597	FERRULE	COMPRESSION	1
15	036136	BRACKET	LIFT PUMP	1
16	013629	CAPSCREW	M10 X 25 DIN 933	1
17	019262	LOCKWASHER	M10 DIN 127	1
18	017012	CAPSCREW	M 6 X 16 DIN 933	1
19	031783	LOCKWASHER	M 6 DIN 127	1
20	038034	LINE	LIFT PUMP TO CARBURETOR	1
21	038239	KIT	GASDENSER-LIFT PUMP INCL REF 1-15 & 20	1

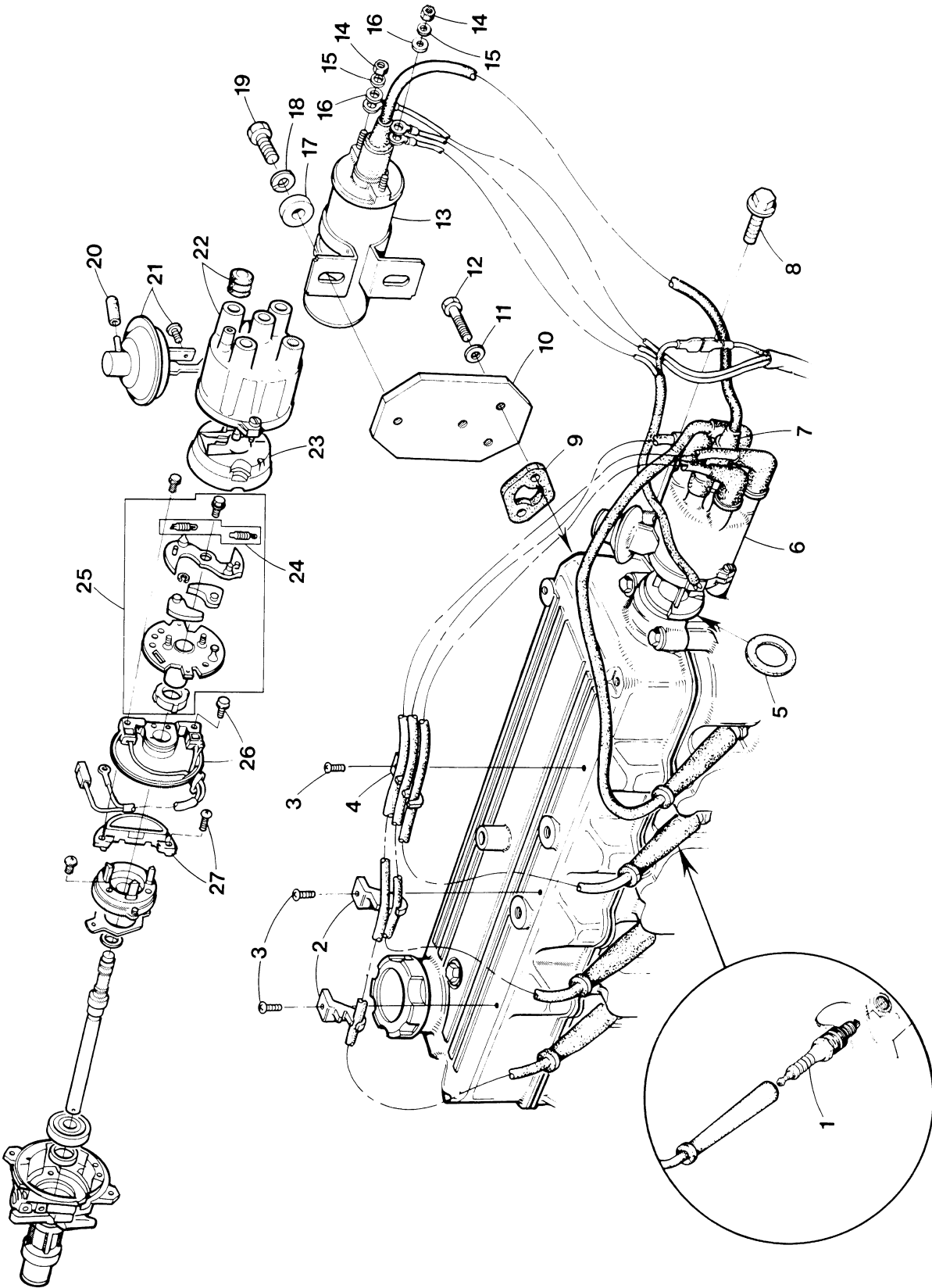
WESTERBEKE 8.5-12.5-15.0 BTG GENERATOR - BELTS - ALTERNATOR - GOVERNOR



WESTERBEKE 8.5-12.5-15.0 BTG GENERATOR - BELTS - ALTERNATOR - GOVERNOR

REF	PN	NAME	REMARKS	QUAN
1	031711	CAPSCREW	1/2NC X 2-1/2	1
2-1	031776	LOCKWASHER	1/2	1
2-2	031777	WASHER	FLAT 1/2	1
3	011548	PULLEY	51 AMP ALTERNATOR DRIVE	1
4	024684	ALTERNATOR	51 AMP 12 VDC WITH REGULATOR	1
5	033064	STRAP	ALTERNATOR ADJUSTING	1
6	033381	WASHER	ALTERNATOR STRAP	1
7	031758	LOCKWASHER	5/16 - 51 AMP ALTERNATOR	2
8	031555	CAPSCREW	5/16NC X 1 - 51 AMP ALTERNATOR	1
9	031756	NUT	5/16NC	1
10	031223	CAPSCREW	M14 X 1.5 X 30 DIN 961	2
11	031797	LOCKWASHER	M14 DIN 127	2
12	033252	BRACKET	GOVERNOR AND ADJUSTING STRAP	1
13	031556	CAPSCREW	5/16NC X 1-1/4	1
14	037148	BRACKET	BELT GUARD	1
15	033647	CAPSCREW	M 8 X 50 JIS-FLANGE	1
16	033228	WINGSCREW	BELT GUARD	3
17	031849	LOCKWASHER	10	3
18	033372	WASHER	BELT GUARD	3
19	033699	BRACKET	BELT GUARD	1
20	031765	WASHER	FLAT 3/8	3
21	031764	LOCKWASHER	3/8	3
22	031606	CAPSCREW	3/8NC X 1-1/4	3
23	033560	GOVERNOR		1
24	031759	SPACER	ADJUSTING STRAP - 35 AMP ALTERNATOR	1
25	031849	LOCKWASHER	10	1
26	031847	NUT	10-32	2
27	019364	BALL JOINT		1
28	033317	ROD	TIE-GOVERNOR TO CARBURETOR	1
29	033607	BRACKET	BELT GUARD	1
30	034175	SCREW	M 5 X 12 TAPPING	1
31	030592	BELT	ALTERNATOR & FRESH WATER PUMP	1
32	033681	BELT	GOVERNOR & SEA WATER PUMP	1
33	036237	GUARD	BELT	1
34	037825	ALTERNATOR	35 AMP 12 VDC WITH REGULATOR	1
35	031786	LOCKWASHER	M 8 DIN 127 - 35 AMP ALTERNATOR	1
36	013630	CAPSCREW	M 8 DIN 127 - 35 AMP ALTERNATOR	1
37	031758	LOCKWASHER	5/16 - 35 AMP ALTERNATOR	1
38	031107	SPACER	35 AMP ALTERNATOR TO BRACKET	1

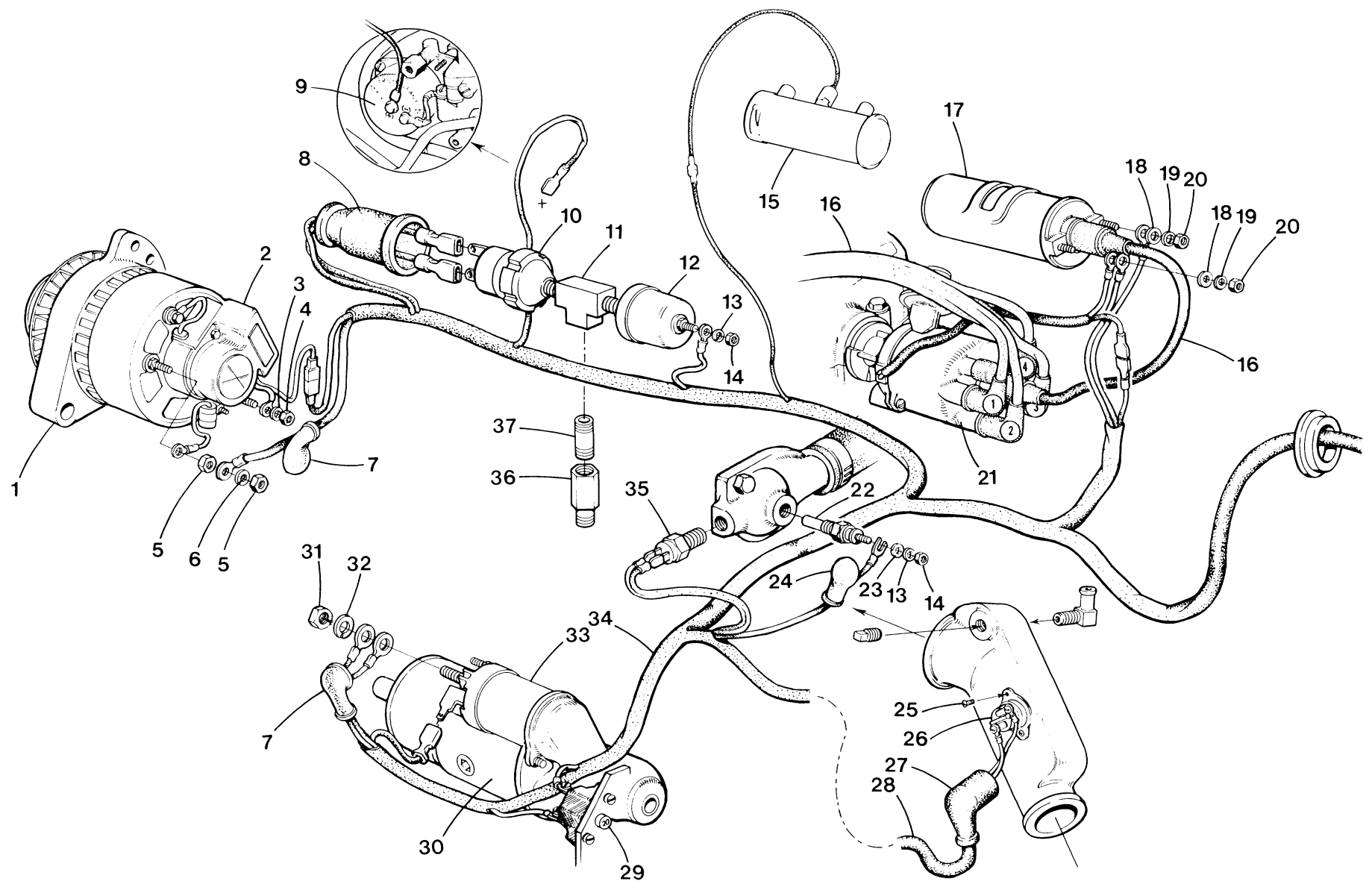
WESTERBEKE 8.5-12.5-15 BTG GENERATOR - DISTRIBUTOR - COIL - SPARKPLUG



WESTERBEKE 8.5-12.5-15 BTG GENERATOR - DISTRIBUTOR - COIL - SPARKPLUG

REF	PN	NAME	REMARKS	QUAN
1	033805	SPARKPLUG		4
2	034056	BRACKET	PLUG WIRE	2
3	034175	SCREW	M 5 X 12 TAPPING	3
4	034054	BRACKET	PLUG WIRE	1
5	034469	O-RING	DISTRIBUTOR MOUNTING	1
6-1	033807	DISTRIBUTR	8.5-12.5 BTG	1
6-2	034106	DISTRIBUTR	15.0 BTG	1
7	033817	WIRE SET	PLUGS AND COIL	1
8	033642	CAPSCREW	M 8 X 25 JIS-FLANGE	1
9	034234	GASKET	BRACKET TO HEAD	1
10	033697	BRACKET	IGNITION COIL	1
11	031786	LOCKWASHER	M 8 DIN 127	2
12	017196	CAPSCREW	M 8 X 20 DIN 933	2
13	033806	COIL	IGNITION	1
14	015812	NUT	M 6 DIN 934	2
15	031783	LOCKWASHER	M 6 DIN 127	2
16	031784	WASHER	M 6 DIN 125	2
17	031759	WASHER	FLAT 5/16	2
18	031758	LOCKWASHER	5/16	2
19	031553	CAPSCREW	5/16NC X 3/4	2
20	033885	CAP	VINYL	1
21	034453	MODULE	DISTRIBUTOR VACUUM ADVANCE	1
22	034113	CAP	DISTRIBUTOR	1
23	034093	ROTOR	DISTRIBUTOR	1
24-1	034052	SPRING SET	DISTRIBUTOR 8.5-12.5 BTG	1
24-2	034107	SPRING SET	DISTRIBUTOR 15.0 BTG	1
25-1	034051	GOVERNOR	DISTRIBUTOR 8.5-12.5 BTG	1
25-2	034108	GOVERNOR	DISTRIBUTOR 15.0 BTG	1
26	034114	MODULE	DISTRIBUTOR PICK-UP	1
27	034164	IGNITER	DISTRIBUTOR	1

126

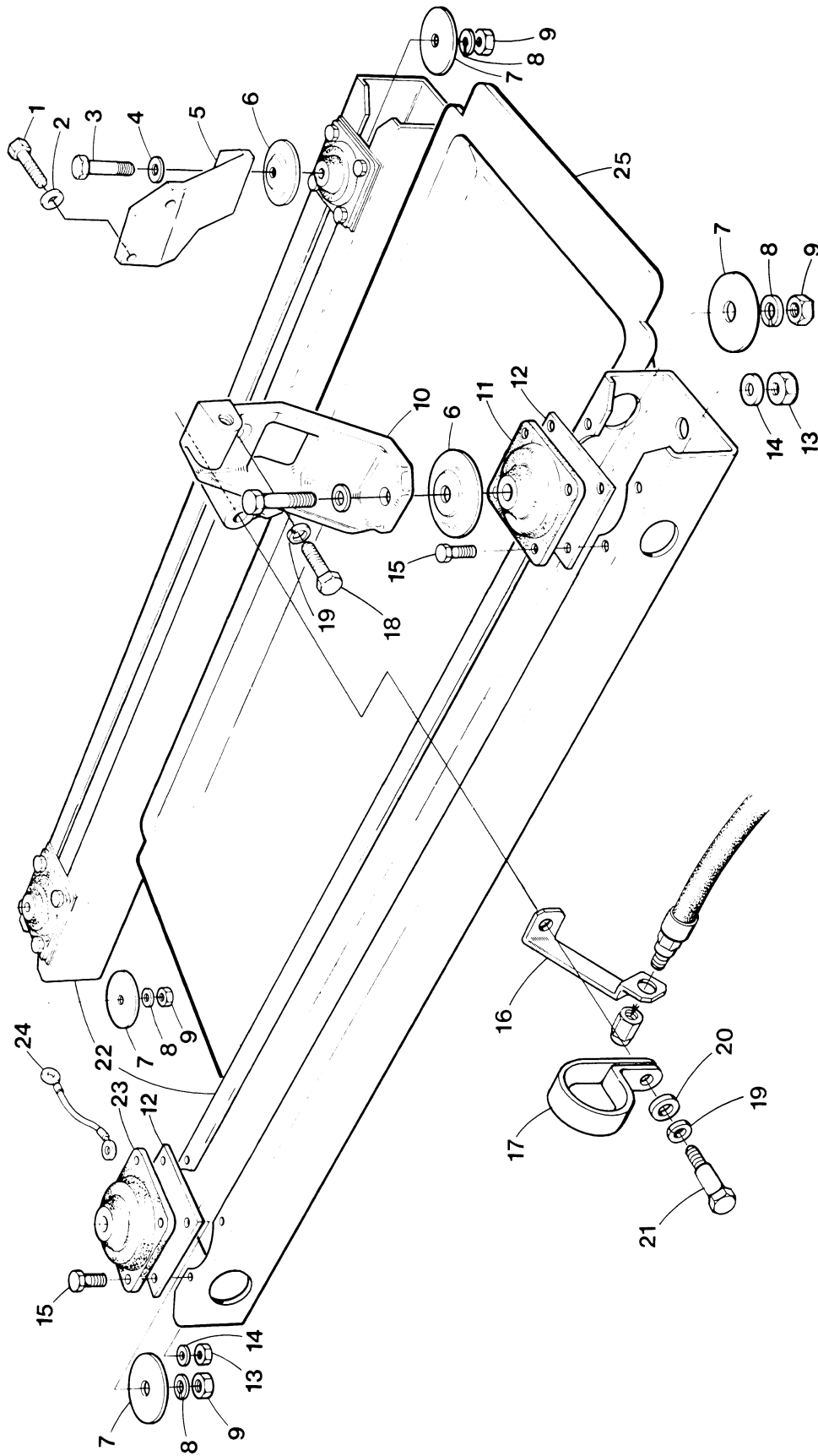




## WESTERBEKE 8.5-12.5-15.0 BTG GENERATOR - ENGINE WIRING HARNESS

REF	PN	NAME	REMARKS	QUAN
1-1	024684	ALTERNATOR	51 AMP 12 VDC WITH REGULATOR	1
1-2	037825	ALTERNATOR	35 AMP 12VDC WITH REGULATOR	1
2	024579	REGULATOR	51 AMP ALTERNATOR	1
3	031849	LOCKWASHER	10 - 51 AMP ALTERNATOR	3
4		NUT	10-24 - 51 AMP ALTERNATOR	3
5-1	031750	NUT	1/4NC - 51 AMP ALTERNATOR	2
5-2	015812	NUT	M 6 DIN 934 - 35 AMP ALTERNATOR	2
6-1	031752	LOCKWASHER	1/4 - 51 AMP ALTERNATOR	1
6-2	031783	LOCKWASHER	M 6 DIN 127 - 35 AMP ALTERNATOR	1
7	034472	BOOT	STARTER AND ALTERNATOR	2
8	035755	BOOT	OIL PRESSURE SWITCH	1
9	033716	CHOKE	ELECTRIC 12 VDC	1
10	033935	SWITCH	OIL PRESSURE-SAFETY	1
11	013350	TEE	1/8NPT	1
12-1	024132	SENDER	OIL PRESSURE 0-100 PSI - OPTIONAL	1
12-2	019369	PLUG	1/8NPT WHEN SENDER NOT INSTALLED	1
13	031849	LOCKWASHER	10	2
14	031847	NUT	10-32	2
15		PUMP	ELECTRIC FUEL LIFT SEE PAGE 121	1
16	033817	WIRE SET	SPARKPLUG AND COIL	1
17	033806	COIL	IGNITION	1
18	031781	WASHER	M 5 DIN 125	2
19	031780	LOCKWASHER	M 5 DIN 127	2
20	018241	NUT	M 5 IN 934	2
21		DISTRIBUTR	REFER TO PAGE ON DISTRIBUTOR	1
22-1	035109	SENDER	WATER TEMPERATURE - OPTIONAL	1
22-2	019369	PLUG	1/8NPT WHEN SENDER NOT INSTALLED	1
23	031848	WASHER	FLAT 10	1
24	035449	BOOT	COIL AND SENDER TERMINALS	4
25	035711	SCREW	6-20 X 1/4 TAPPING	2
26	032923	SWITCH	EXHAUST TEMPERATURE-SAFETY	1
27	035754	BOOT	EXHAUST TEMPERATURE SWITCH	1
28	033213	TUBING	TEFLON-WIRE PROTECTION-INCHES REQUIRED	12
29	024683	BREAKER	CIRCUIT 20 AMP	1
30	034552	STARTER	12 VDC	1
31	018242	NUT	M 8 DIN 934	1
32	031786	LOCKWASHER	M 8 DIN 127	1
33	036218	SOLENOID	STARTER MOTOR	1
34	037151	HARNESS	ENGINE	1
35	030096	SWITCH	WATER TEMPERATURE-SAFETY	1
36	024844	ADAPTER	1/8BSPT TO 1/8NPT	1
37	011492	NIPPLE	1/8NPT CLOSE	1

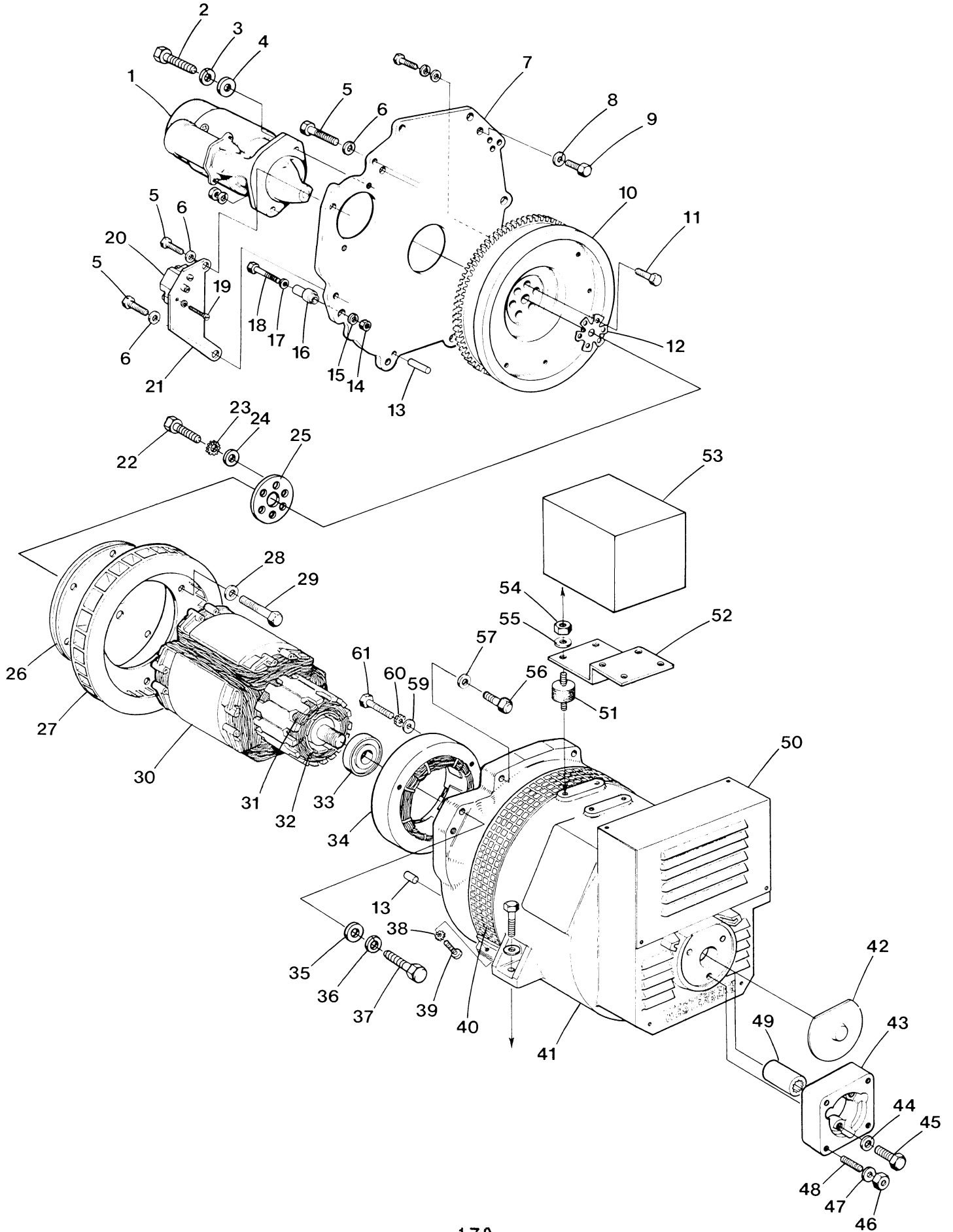
WESTERBEKE 8.5-12.5-15.0 BTG GENERATOR - MOUNTING SYSTEM



WESTERBEKE 8.5-12.5-15.0 BTG GENERATOR - MOUNTING SYSTEM

REF	PN	NAME	REMARKS	QUAN
1	024952	CAPSCREW	M10 X 1.25 X 25 DIN 961	2
2	019262	LOCKWASHER	M10 DIN 127	2
3	031712	CAPSCREW	1/2NC X 2-3/4	4
4	031777	WASHER	FLAT 1/2	4
5	033314	MOUNT	FRONT LEFT	1
6	033530	SHIELD	FRONT ISOLATOR	2
7	024674	WASHER	SNUBBING	4
8	031776	LOCKWASHER	1/2	4
9	031774	NUT	1/2NC	4
10	033426	MOUNT	FRONT RIGHT AND ALTERNATOR	1
11	021529	ISOLATOR	FRONT	2
12	033574	PLATE	ISOLATOR TO RAIL	4
13	031756	NUT	5/16NC	16
14	031758	LOCKWASHER	5/16	16
15	031555	CAPSCREW	5/16NC X 1	16
16	037198	BRACKET	SUMP DRAIN HOSE	1
17	035134	CLAMP	FRESH WATER HOSE SUPPORT	1
18	024955	CAPSCREW	M10 X 1.25 X 45 DIN 960	1
19	019262	LOCKWASHER	M10 DIN 127	2
20	031789	WASHER	M10 DIN 125	1
21	024956	CAPSCREW	M10 X 1.25 X 50 DIN 960	1
22	036120	RAIL		2
23	021529	ISOLATOR	REAR	2
24	034593	STRAP	GROUND GENERATOR TO RAIL	1
25	037378	DRIPTRAY		1

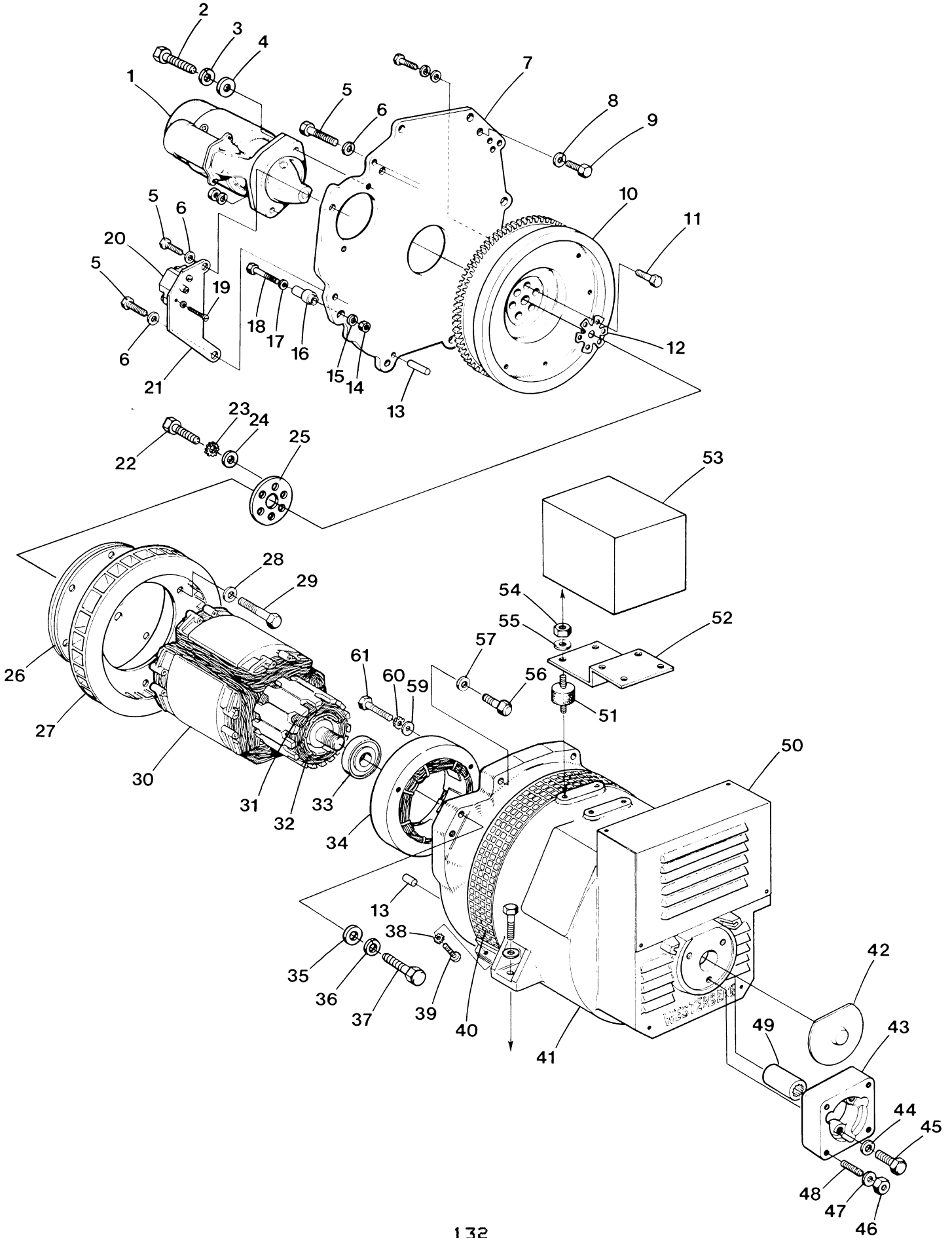
WESTERBEKE 8.5-12.5-15.0 BTG GENERATOR - BACK END - GENERATOR



WESTERBEKE 8.5-12.5-15.0 BTG GENERATOR - BACK END - GENERATOR

REF	PN	NAME	REMARKS	QUAN
1	033452	MOTOR	STARTER 12 VDC	1
2	034589	CAPSCREW	M10 X 30 DIN 933	2
3	019262	LOCKWASHER	M10 DIN 127	2
4	031789	WASHER	M10 DIN 125	2
5	013629	CAPSCREW	M10 X 25 DIN 933	7
6	019262	LOCKWASHER	M10 DIN 127	7
7-1	034872	PLATE	BACK 8.5 BTG	1
7-2	034872	PLATE	BACK 12.5-15.0 BTG TO MAY 1989	1
7-3	038168	PLATE	BACK 12.5-15.0 BTG FROM JUNE 1989	1
8	031792	LOCKWASHER	M12 DIN 127	2
9	033347	CAPSCREW	M12 X 1.5 X 25 DIN 961	2
10-1	034874	FLYWHEEL	INCLUDING RING GEAR 8.5 BTG	1
10-2	036693	FLYWHEEL	INCLUDING RING GEAR 12.5-15.0 BTG	1
10-3	032996	GEAR	RING	1
11	033715	CAPSCREW	M12 X 1.5 X 35 DIN 961	6
12	033863	TABWASHER	FLYWHEEL	1
13	019039	DOWEL		2
14	031762	NUT	3/8NC	2
15	031764	LOCKWASHER	3/8	2
16	033311	DOWEL	BACKPLATE TO BLOCK	2
17	031765	WASHER	FLAT 3/8	2
18	031609	CAPSCREW	3/8NC X 2	2
19	031866	SCREW	8-32 X 7/8	2
20	024683	BREAKER	CIRCUIT 20 AMP	1
21	033602	BRACKET	CIRCUIT BREAKER	1
22	013629	CAPSCREW	M10 X 25 DIN 933	6
23	031915	LOCKWASHER	M10 DIN 6797A	6
24	031789	WASHER	M10 DIN 125	6
25	035928	PLATE	THRUST-DRIVE DISC TO ARMATURE	1
26-1	035927	PLATE	DRIVE DISC 8.5 BTG	2
26-2	035927	PLATE	DRIVE DISC 12.5-15.0 BTG	3
27	035929	FAN		1
28-1	031835	LOCKWASHER	M 8 DIN 6797J 8.5 BTG	8
28-2	031786	LOCKWASHER	M 8 DIN 127 12.5-15.0 BTG	8
29-1	037338	CAPSCREW	ARMATURE TO FLYWHEEL 8.5 BTG	8
29-2	017196	CAPSCREW	M 8 X 20 DIN 933 12.5-15.0 BTG	8
30-1	035930	ARMATURE	8.5 BTG	1
30-2	037464	ARMATURE	12.5 BTG	1
30-3	037468	ARMATURE	15.0 BTG	1
31	035943	RESISTOR	POSI	1
32	035931	DIODE		6
33-1	035932	BEARING	BALL 8.5 BTG	1
33-2	037460	BEARING	BALL 12.5-15.0 BTG	1
34-1	035933	STATOR	EXCITER 8.5 BTG	1
34-2	037467	STATOR	EXCITER 12.5 BTG	1
34-3	037471	STATOR	EXCITER 15.0 BTG	1
35	031789	WASHER	M10 DIN 125	1
36	019262	LOCKWASHER	M10 DIN 127	1
37	018813	CAPSCREW	M10 X 20 DIN 933	1
38	031914	LOCKWASHER	M 5 DIN 6797A	1
39	031920	SCREW	M 5 X 20 DIN 84A	1
40	031935	GUARD	AIR	1

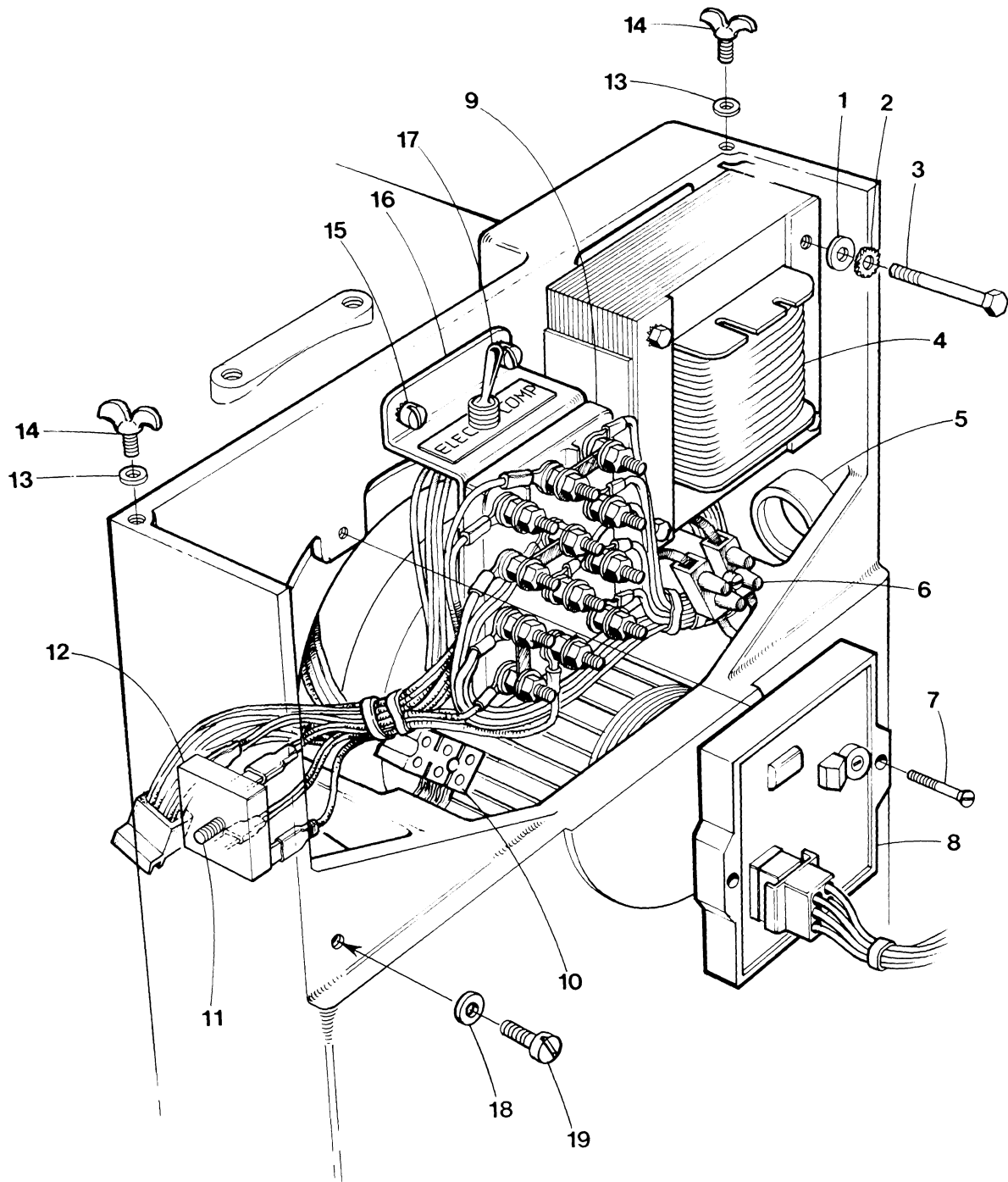
WESTERBEKE 8.5-12.5-15.0 BTG GENERATOR - BACK END - GENERATOR



WESTERBEKE 8.5-12.5-15.0 BTG GENERATOR - BACK END - GENERATOR

REF	PN	NAME	REMARKS	QUAN
41-1	037428	GENERATOR	8.5 BTG	1
41-2	037437	GENERATOR	12.5 BTG	1
41-3	037430	GENERATOR	15.0 BTG	1
41-4	035934	STATOR	INCLUDING HOUSING 8.5 BTG	1
41-5	037465	STATOR	INCLUDING HOUSING 12.5 BTG	1
41-6	037469	STATOR	INCLUDING HOUSING 15.0 BTG	1
41-7	037723	STATOR	8.5 BTG	1
41-8	037466	STATOR	12.5 BTG	1
41-9	037470	STATOR	15.0 BTG	1
42-1	034182	COVER	PTO INTERFACE 8.5 BTG	1
42-2	036701	COVER	PTO INTERFACE 12.5-15.0 BTG	1
43-1	034786	KIT	PTO INCL REF 43-49 8.5 BTG	1
43-2	037134	KIT	PTO INTERFACE INCL REF 43-49 12.5-15 BTG	1
43-3	034742	DRAWING	PTO INSTALLATION 8.5 BTG	1
43-4	037197	DRAWING	PTO INSTALLATION 12.5-15.0 BTG	1
43-5	034738	ADAPTER	PTO	1
44	031792	LOCKWASHER	M12 DIN 127	3
45	013589	CAPSCREW	M12 X 40 DIN 933	3
46	031774	NUT	1/2NC	4
47	031776	LOCKWASHER	1/2	4
48	034867	STUD	1/2NC	4
49-1	034737	DRIVE	PTO SAE-B SPLINE 8.5 BTG	1
49-2	037188	DRIVE	PTO SAE-B SPLINE 12.5-15.0 BTG	1
50-1	035936	COVER	8.5 BTG	1
50-2	037851	COVER	12.5-15.0 BTG	1
51	036652	ISOLATOR	PANEL MOUNT	4
52	036871	BRACKET	PANEL MOUNT	1
53	037149	PANEL	GENERATOR CONTROL	1
54	015812	NUT	M 6 DIN 934	4
55	031783	LOCKWASHER	M 6 DIN 127	4
56	034470	CAPSCREW	M10 X 45 DIN 931	2
57	019262	LOCKWASHER	M10 DIN 127	2
59	031781	WASHER	M 5 DIN 125	3
60	031914	LOCKWASHER	M 5 DIN 6797A	3
61	031919	CAPSCREW	M 5 X 35 DIN 912	3

# WESTERBEKE 8.5 BTG GENERATOR - AC OUTPUT AND REGULATOR

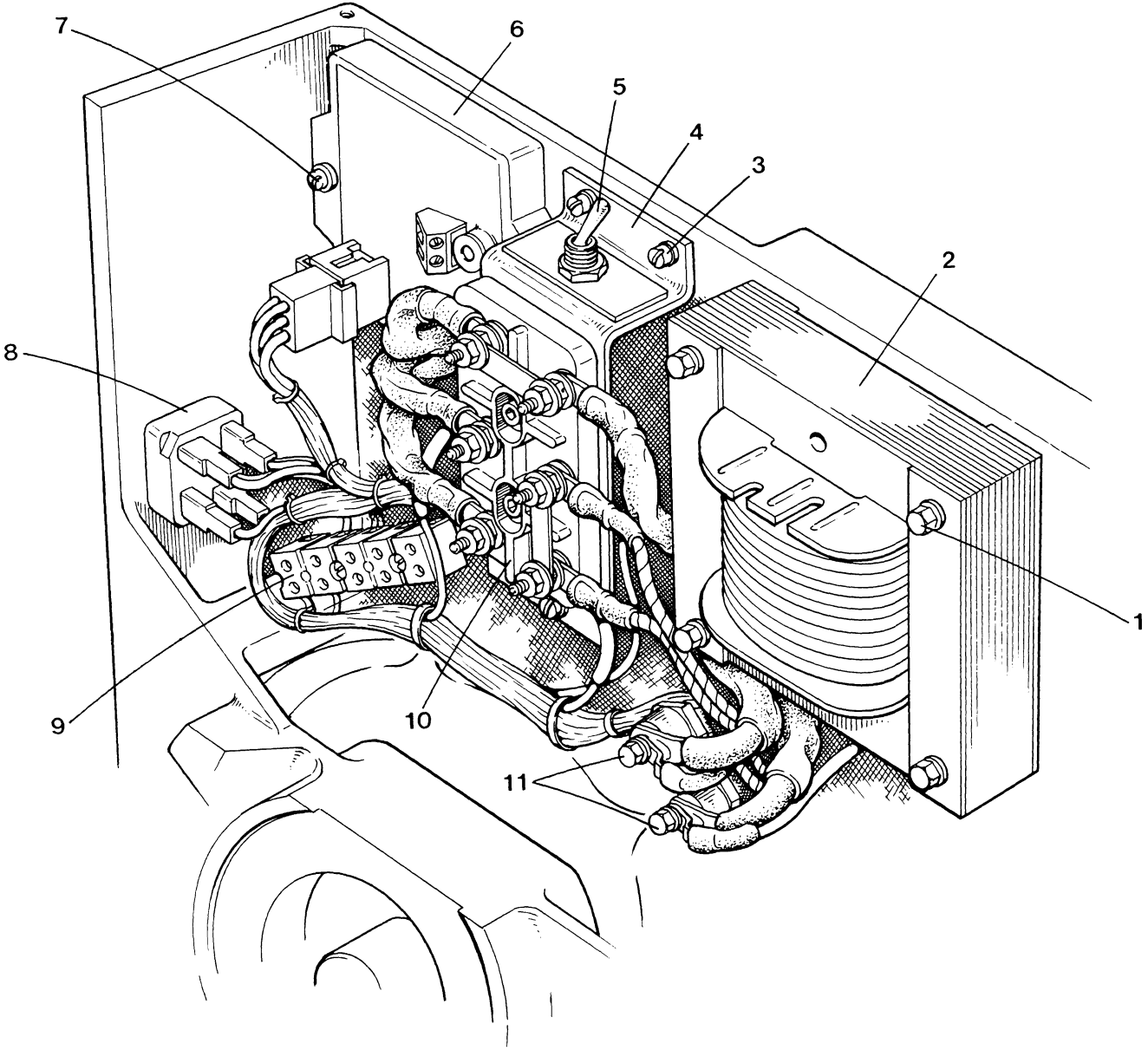




WESTERBEKE 8.5 BTG GENERATOR - AC OUTPUT AND REGULATOR

REF	PN	NAME	REMARKS	QUAN
1	031781	WASHER	M 5 DIN 125	4
2	031914	LOCKWASHER	M 5 DIN 6797A	4
3	031916	CAPSCREW	M 5 X 50 DIN 933	4
4	035937	TRANSFORMR	VOLTAGE REGULATION	1
5	035944	GROMMET	AC OUTPUT LEADS	1
6	035941	BLOCK	TERMINAL 2 POLE	1
7-1	031934	SCREW	M 4 X 20 DIN 84A	2
7-2	031917	LOCKWASHER	M 5 DIN 6797A	2
8	034410	REGULATOR	ELECTRONIC-VOLTAGE	1
9	035940	BLOCK	TERMINAL AC OUTPUT	2
9-1	038348	NUT	M 5 BRASS	AR
9-2	038349	BAR	BUSS	AR
10	035942	BLOCK	TERMINAL 3 POLE	1
11-1	031931	SCREW	M 5 X 15 DIN 84A	1
11-2	031914	LOCKWASHER	M 5 DIN 6797A	1
12	030809	RECTIFIER	BRIDGE	1
13	031780	LOCKWASHER	M 5 DIN 127	2
13-1	031781	WASHER	M 5 DIN 125	2
14	036912	WINGSCREW	M 5 X 10 DIN 316	2
15-1	031914	LOCKWASHER	M 5 DIN 6797A	2
15-2	031918	SCREW	M 5 X 10 DIN 84A	2
16	035939	BRACKET		1
17	035938	SWITCH	REGULATION SELECTOR	1
18	031783	LOCKWASHER	M 6 DIN 127	2
19	015816	CAPSCREW	M 6 X 10 DIN 933	2
20	035144	LABEL	AC OUTPUT CONNECTIONS	1

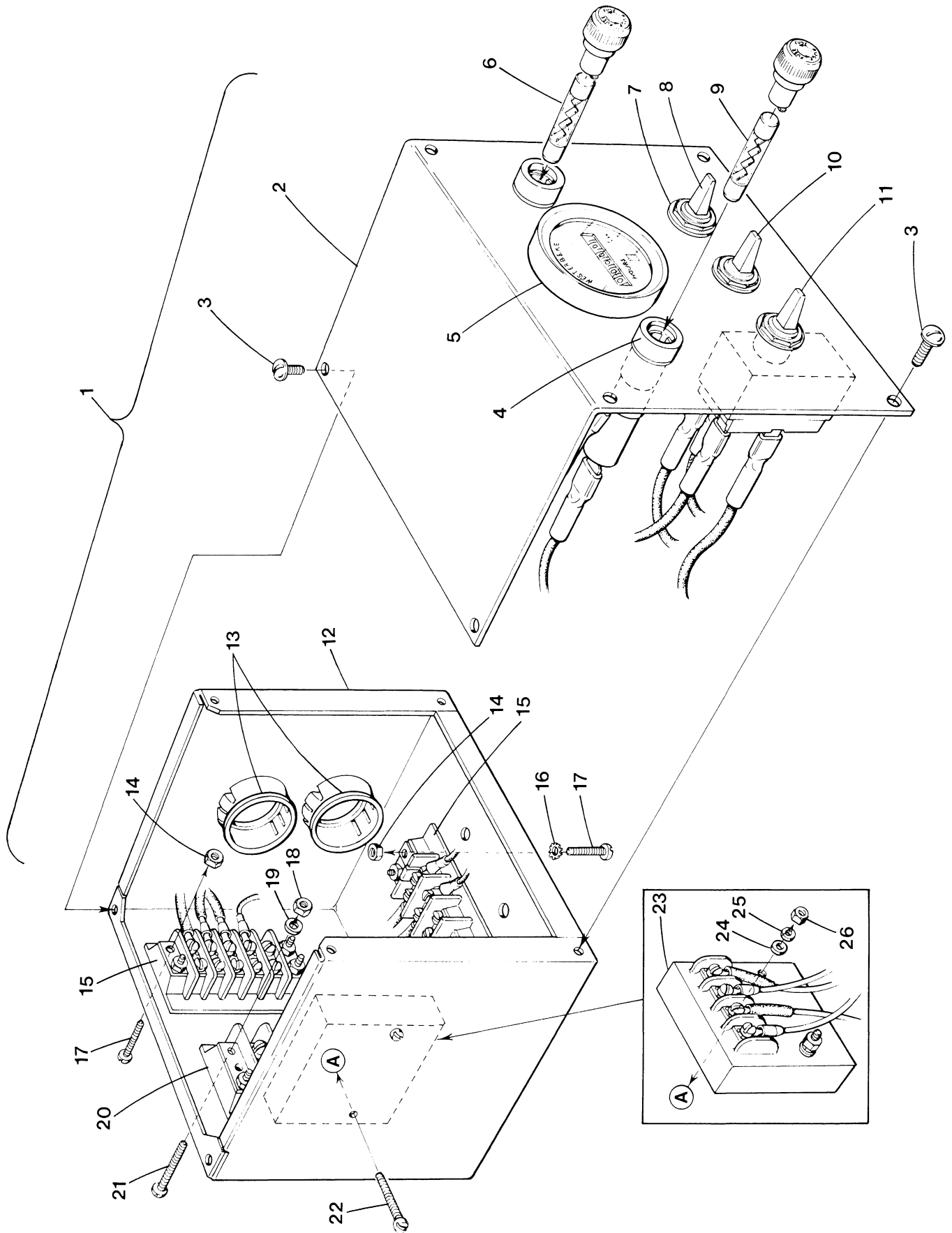
WESTERBEKE 12.5-15.0 BTG GENERATOR - AC OUTPUT AND REGULATOR



WESTERBEKE 12.5-15.0 BTG GENERATOR - AC OUTPUT AND REGULATOR

REF	PN	NAME	REMARKS	QUAN
1-1	031916	CAPSCREW	M 5 X 50 DIN 933	4
1-2	031914	LOCKWASHER	M 5 DIN 6797A	4
1-3	031781	WASHER	M 5 DIN 125	4
2	037463	TRANSFORMR	VOLTAGE REGULATION	1
3-1	031718	SCREW	M 5 X 10 DIN 84A	2
3-2	031914	LOCKWASHER	M 5 DIN 6797A	2
4	038345	BRACKET		1
5	038346	SWITCH	REGULATION SELECTION	1
6	034410	REGULATOR	ELECTRONIC-VOLTAGE	1
7-1	031917	LOCKWASHER	M 4 DIN 6797A	2
7-2	031934	SCREW	M 4 X 20 DIN 84A	2
8-1	030809	RECTIFIER	BRIDGE	1
8-2	031931	SCREW	M 5 X 15 DIN 84A	1
8-3	031914	LOCKWASHER	M 5 DIN 6797A	1
9	038347	BLOCK	TERMINAL 5 POLE	1
10-1	038342	BLOCK	TERMINAL AC OUTPUT	1
10-2	038343	NUT	M 6 BRASS	AR
10-3	038344	BAR	BUSS	AR
11	035943	TERMINAL	INSULATED	2
12	036737	CONNECTOR	BOX 1-1/2 - AC OUTPUT LEADS	1
13	036702	LABEL	AC OUTPUT CONNECTIONS	1

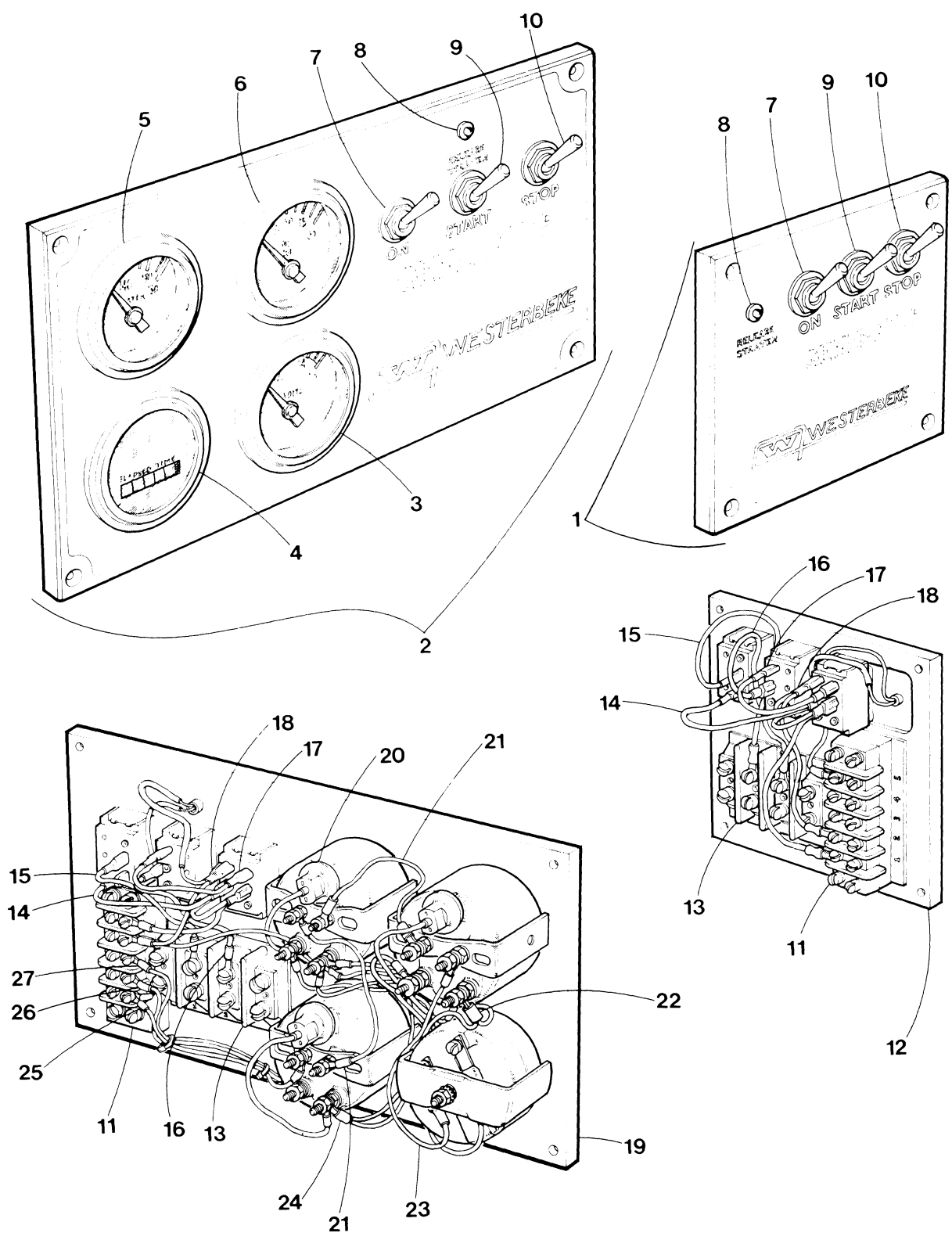
WESTERBEKE 8.5-12.5-15.0 BTG GENERATOR - CONTROL PANEL



WESTERBEKE 8.5-12.5-15.0 BTG GENERATOR - CONTROL PANEL

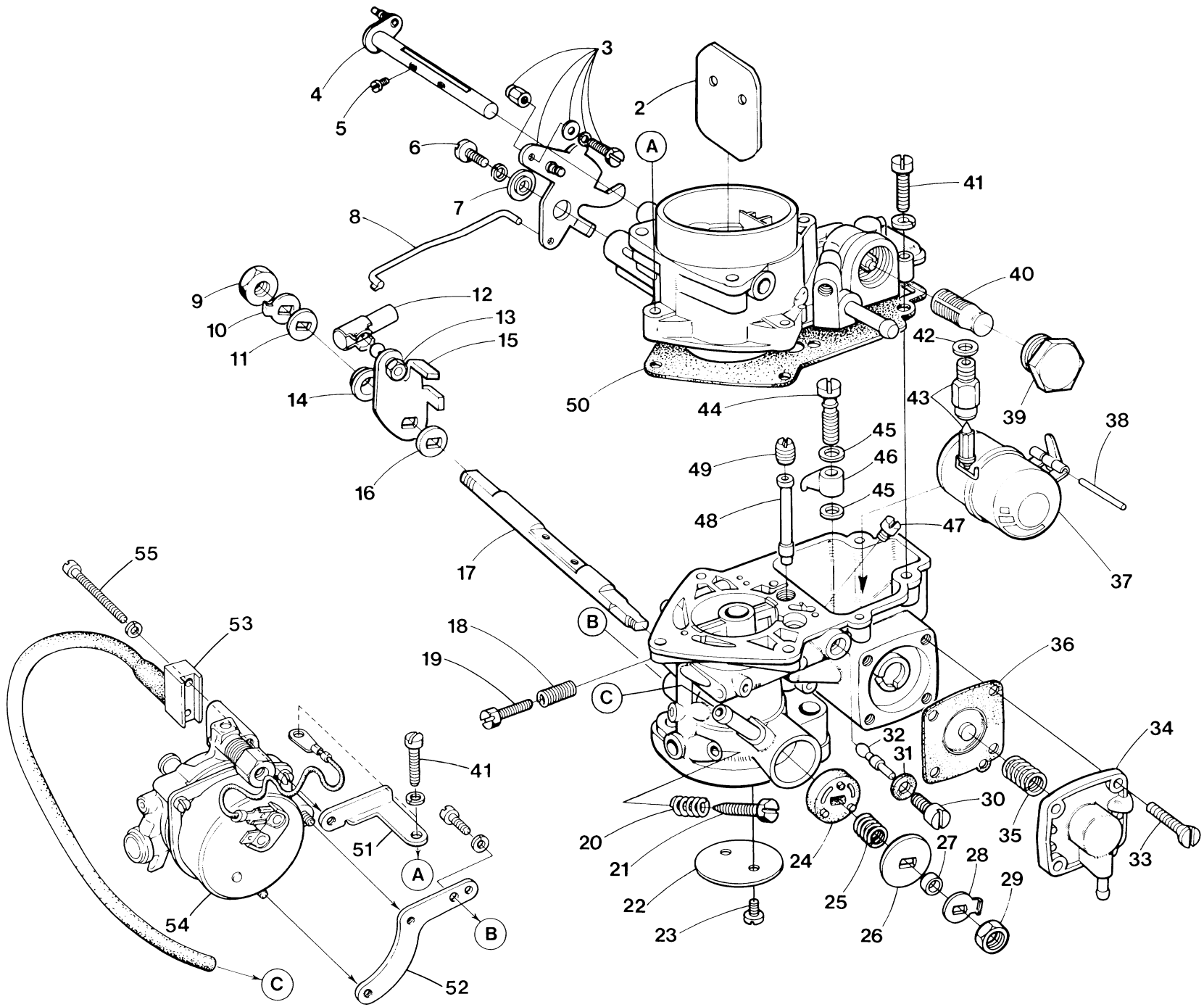
REF	PN	NAME	REMARKS	QUAN
1	037149	PANEL	GENERATOR CONTROL WITH ENGINE HARNESS	1
2	037147	COVER	PANEL BOX	1
3	031891	SCREW	8-32 X 3/8 TRUSS HEAD	6
4	033767	HOLDER	FUSE	2
5	036192	METER	HOUR	1
6	011468	FUSE	15 AMP	1
7	031999	RING	TOGGLE SWITCH POSITIONING	3
8	033631	SWITCH	STOP - RED HANDLE	1
9	033769	FUSE	8 AMP	1
10	033632	SWITCH	START - WHITE HANDLE	1
11	033633	SWITCH	ON - BLACK HANDLE	1
12	037146	BOX	CONTROL PANEL	1
13	023938	BUSHING	NYLON SNAP	2
14	031837	NUT	6-32	8
15-1	019121	BLOCK	TERMINAL	2
15-2	019122	MARKER	TERMINAL BLOCK	2
15-3	015222	PLATE	SCREW	4
15-4	015223	JUMPER	TERMINAL BLOCK	2
16	031841	LOCKWASHER	6 EXTERNAL TOOTH	8
17	031855	SCREW	6-32 X 5/8	8
18	031842	NUT	8-32	4
19	031844	LOCKWASHER	8	4
20-1	012975	BLOCK	TERMINAL	1
20-2	013364	MARKER	TERMINAL BLOCK	1
20-3	013856	PLATE	SCREW	2
20-4	013938	JUMPER	TERMINAL BLOCK	1
21	031866	SCREW	8-32 X 7/8	4
22	031892	SCREW	4-40 X 1	2
23	033628	SHUTDOWN	OVERSPEED	1
24	031894	WASHER	FLAT 4	2
25	031895	LOCKWASHER	4	2
26	031893	NUT	4-40	2
27	037151	HARNESS	ENGINE	1
28	037159	HARNESS	PANEL	1
29	033695	LABEL	TOGGLE SWITCH IDENTIFICATION	1
30	036405	LABEL	FUSE 8 AMP	1
31	036406	LABEL	FUSE 15 AMP	1
32	033514	LABEL	GENSET OPERATING INSTRUCTIONS	1
33	033748	LABEL	GASOLINE VAPOR WARNING	1

WESTERBEKE 8.5-12.5-15.0 BTG GENERATOR - REMOTE CONTROL PANELS



WESTERBEKE 8.5-12.5-15.0 BTG GENERATOR - REMOTE CONTROL PANELS

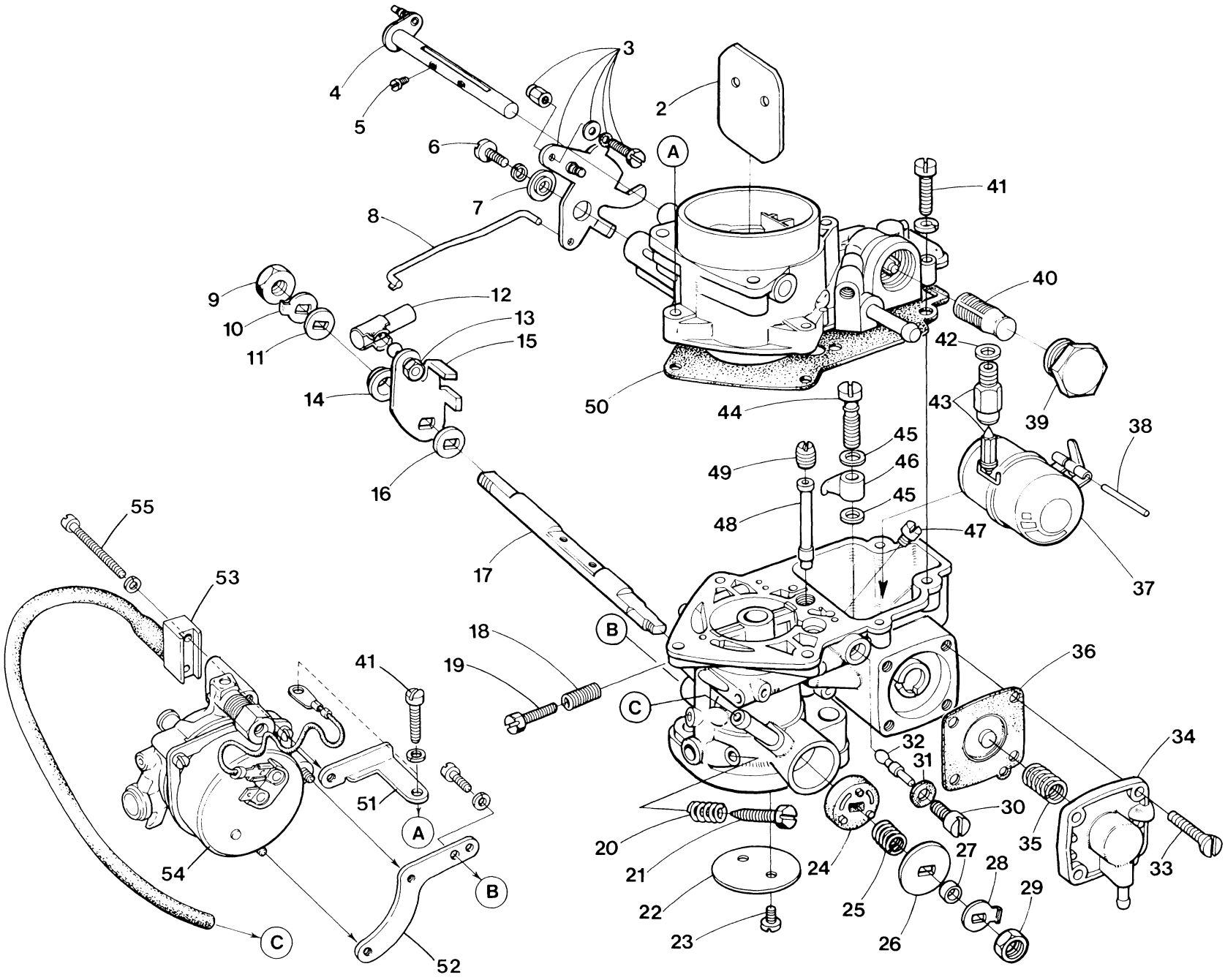
REF	PN	NAME	REMARKS	QUAN
1	033703	PANEL	REMOTE START-STOP	1
2	036055	PANEL	REMOTE INSTRUMENT INCLUDING SENDERS	1
3	037605	VOLTMETER	12 VDC	1
4	036192	METER	HOUR	1
5	037601	METER	WATER TEMPERATURE	1
6	037603	METER	OIL PRESSURE 1-100 PSI	1
7	033633	SWITCH	ON - BLACK HANDLE	1
8-1	032975	LED		1
8-2	013723	RESISTOR		1
8-3	013724	DIODE		1
9	033632	SWITCH	START - WHITE HANDLE	1
10	033631	SWITCH	STOP - RED HANDLE	1
11-1	019121	BLOCK	TERMINAL	1
11-2	019122	MARKER	TERMINAL BLOCK	1
11-3	033868	SPACER		1
11-4	031867	SCREW	8-32 X 1	4
11-5	031844	LOCKWASHER	8	4
11-6	031843	WASHER	FLAT 8	4
12	033917	PLATE	REMOTE PANEL 33703	1
13-1	012975	BLOCK	TERMINAL	1
13-2	013364	MARKER	TERMINAL BLOCK	1
13-3	013856	PLATE	SCREW	2
13-4	031865	SCREW	8-32 X 3/4	4
13-5	031844	LOCKWASHER	8	4
14	034215	WIRE	RED-PURPLE	1
15	034214	WIRE	RED-PURPLE	1
16	034216	WIRE	YELLOW-RED	1
17	033912	WIRE	YELLOW-RED	1
18	034217	WIRE	PURPLE	1
19	033916	PLATE	REMOTE INSTRUMENT PANEL 36055	1
20-1	035114	LAMP	INSTRUMENT-WEDGE BASE	3
20-2	035118	HOLDER	LAMP-WEDGE BASE	3
20-3	035825	WIRE	LAMP POWER CONNECTION	3
21	034223	WIRE	BLACK	2
22	034221	WIRE	PURPLE	1
23	034222	WIRE	BLACK	1
24	034220	WIRE	PURPLE	1
25	034224	WIRE	BLACK	1
26	034219	WIRE	TAN	1
27	034218	WIRE	BLUE	1
28	031999	RING	TOGGLE SWITCH POSITIONING	3
29-1	035698	DIAGRAM	WIRING PANEL 36055	1
29-2	035706	DIAGRAM	WIRING PANEL 33703	1





WESTERBEKE 8.5-12.5-15.0 BTG GENERATOR - GASOLINE CARBURETOR

REF	PN	NAME	REMARKS	QUAN
1-1	033751	CARBURETOR	ASSEMBLY INCLUDING CHOKE	1
1-2	036450	KIT	CARBURETOR REPAIR	1
2	036296	PLATE	CHOKE	1
3	036279	LEVER	CHOKE CONTROL ASSEMBLY	1
4	036264	SHAFT	CHOKE PLATE	1
5	036300	SCREW	CHOKE PLATE TO SHAFT	2
6	036304	SCREW		1
7	036267	BUSHING		1
8	036293	ROD	ELECTRIC CHOKE TO CONTROL LEVER	1
9	036269	NUT		1
10	036286	TABWASHER		1
11	036289	SPACER		1
12	019364	BALL JOINT		1
13-1	031847	NUT	10-32	1
13-2	031849	LOCKWASHER	10	1
14	036266	BUSHING		1
15	033700	LEVER		1
16	036291	SPACER		1
17	036263	SHAFT	THROTTLE PLATE	1
18	036280	SPRING		1
19	036301	SCREW	IDLE SET	1
20	036280	SPRING		1
21	036305	SCREW	IDLE MIXTURE	1
22	036295	PLATE	THROTTLE	1
23	036299	SCREW	THROTTLE PLATE	2
24	036283	VALVE	ROTARY	1
25	036281	SPRING		1
26	036290	WASHER	SPACER	1
27	036265	SPACER		1
28	036287	TABWASHER		1
29	036268	NUT		1
30	036285	RETAINER	IDLE JET	1
31	036277	GASKET		1
32	036272	JET	IDLE	1
33	033981	SCREW	PUMP COVER	4
34	033979	COVER	PUMP	1
35	033980	SPRING	PUMP	1
36	033977	DIAPHRAGM		1
37	036271	FLOAT		1
38	036284	PIN		1
39	036292	PLUG	FILTER INSPECTION	1
40	036270	ELEMENT	FILTER	1



WESTERBEKE 8.5-12.5-15.0 BTG GENERATOR - GASOLINE CARBURETOR

REF	PN	NAME	REMARKS	QUAN
41	036302	SCREW	COVER	5
42	036276	GASKET		1
43	036297	VALVE	NEEDLE INCLUDING SEAT	1
44	036298	VALVE	ACCELERATOR PUMP	1
45	036275	GASKET		2
46	036273	JET	ACCELERATOR PUMP	1
47	036158	JET	MAIN	1
48	036294	TUBE	EMULSION	1
49	036274	JET	MAIN AIR BLEED	1
50	036278	GASKET		1
51	033612	BRACKET	CHOKE MOUNTING UPPER	1
52	033613	BRACKET	CHOKE MOUNTING LOWER	1
53	033616	CONNECTOR	CHOKE HOSE	1
54	033716	CHOKE	ELECTRIC 12 VDC	1
55	038267	SCREW	8-32 X 1-1/2 PAN PHILLIPS HEAD	1

WESTERBEKE 8.5-12.5-15.0 BTG GENERATOR - MISCELLANEOUS

REF	PN	NAME	REMARKS	QUAN
1	033803	KIT A	SPARE PARTS	1
2-1	033804	KIT B	EXTENDED CRUISING 8.5 BTG	1
2-2	038000	KIT B	EXTENDED CRUISING 12.5 BTG	1
2-3	034570	KIT B	EXTENDED CRUISING 15.0 BTG	1
3-1	033801	GASKET SET	UPPER 8.5 BTG	1
3-2	037584	GASKET SET	UPPER 12.5 BTG	1
3-3	034568	GASKET SET	UPPER 15.0 BTG	1
4-1	033802	GASKET SET	COMPLETE 8.5 BTG	1
4-2	037585	GASKET SET	COMPLETE 12.5 BTG	1
4-3	034569	GASKET SET	COMPLETE 15.0 BTG	1
5	024177	KIT	REMOTE FRESH WATER SURGE TANK	1
6	013758	PAINT	RED AEROSOL SPRAY CAN	1
7	032149	KIT	REMOTE LUBE OIL FILTER	1
8	020654	SPLITTER	ALTERNATOR OUTPUT	1
9	037315	PARTSLIST		1
10	037375	MANUAL	TECHNICAL	1
11	035909	MANUAL	OPERATOR	1
12-1	032008	SWITCH	SHIP-SHORE 8.5 BTG 120/240VAC	1
12-2	032009	SWITCH	SHIP-SHORE 8.5 BTG 120VAC	1
12-3	032009	SWITCH	SHIP-SHORE 12.5-15.0 BTG 120/240VAC	1
12-4	032010	SWITCH	SHIP-SHORE 12.5-15.0 BTG 120VAC	1
13	036055	PANEL	REMOTE INSTRUMENT	1
14	033703	PANEL	REMOTE START-STOP	1
15-1	034936	MUFFLER	HYDRO-HUSH C	1
15-2	033340	CONNECTOR	HOSE-STRAIGHT	AR
15-3	033341	CONNECTOR	HOSE 45 DEGREE	AR
15-5	033943	KIT	HOSE COUPLING & CLAMPS	1
16	015010	STRAINER	SEA WATER	1
16-4	033342	CONNECTOR	HOSE 90 DEGREE	AR
17	033327	VALVE	ANTI-SIPHON	1

